



9 4 J A C K S O N R O A D , S U I T E 1 1 0 , D E V E N S , M A 0 1 4 3 4

TERMINATIONS

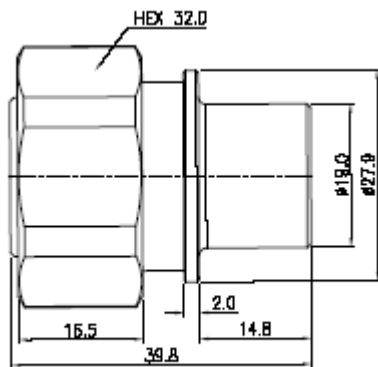
Model RMTE.7500.716m5

7/16 (per IEC 169-4) male, Screw-on

FREQUENCY (MHz)	POWER (WATT)(max)	IMPEDANCE (Ω)	VSWR (max)
DC-7500	5	50	1.15:1

Notes:

- a. Case Materials/Plating:
 - Housing: Brass w/ternary alloy
 - Center Contact: Brass/silver
 - Insulator: PTFE
 - O-ring: Silicone Rubber
- b. Operation temperature: -45C to +125C deg



All specifications are subject to change without notice.

Telephone: 978-772-3767
772-3768

Fax: 978-

www.responsemicrowave.com