



9 4 J A C K S O N R O A D , S U I T E 1 1 0 , D E V E N S , M A 0 1 4 3 4

TERMINATIONS

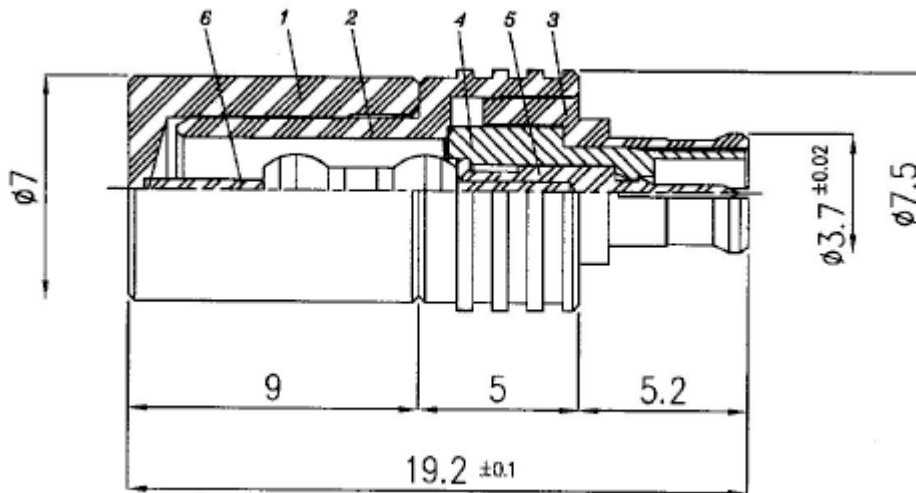
Model RMTE.6000MCXm1

50ohm, MCX male

FREQUENCY (MHz)	POWER (WATT)(AVG)	IMPEDANCE (Ω)	VSWR (max)
DC-6000	1	50	1.30:1

Notes:

- a. Operation temperature: -55C to +125C
- b. Dimensions in mm



- 1 = BodyA – Brass/nickel
- 2 = BodyB – Brass/nickel
- 3 = BodyC – Brass/nickel
- 4 = Dielectric – PTFE
- 5 = Center Contact – PhB/gold
- 6 = Resistor -

All specifications are subject to change without notice

Telephone: 978-772-3767
772-3768

Fax: 978-

www.responsemicrowave.com