



94 JACKSON ROAD, SUITE 110, DEVENS, MA 01434

## Surge Protector

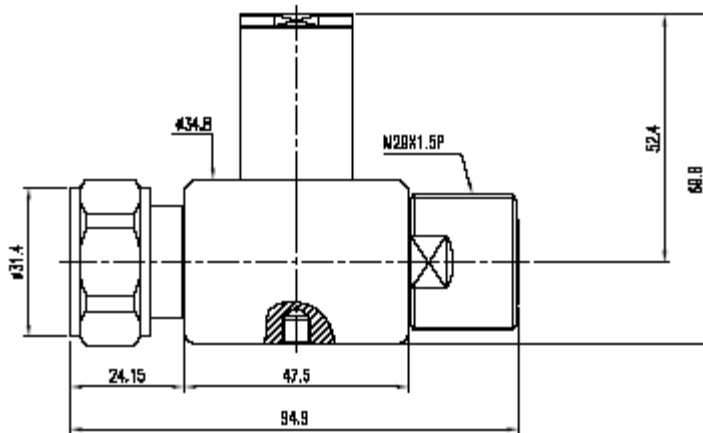
Model RMPD.2200716mf

1/4wave Stub Arrestor

Frequency (MHz)	Throughput (kv/ka)	VSWR (max)	Insertion Loss (dB min)	Impedance ( $\Omega$ )	Power (W peak)	Surge Current (kA)	Return Loss (dB min)
800-2200	6/10	1.2:1	0.2	50	500	5	20

### Notes:

- Connector: 7/16 male/female, (options: N & SMA versions)
- Case material: Brass with ternary alloy plating
- Operation temperature: -35C to +85C deg



All specifications are subject to change without notice.

Telephone: 978-772-3767

Fax: 978-772-3768

[www.responsemicrowave.com](http://www.responsemicrowave.com)