



94 JACKSON ROAD, SUITE 110, DEVENS, MA 01434

Coaxial DC Block

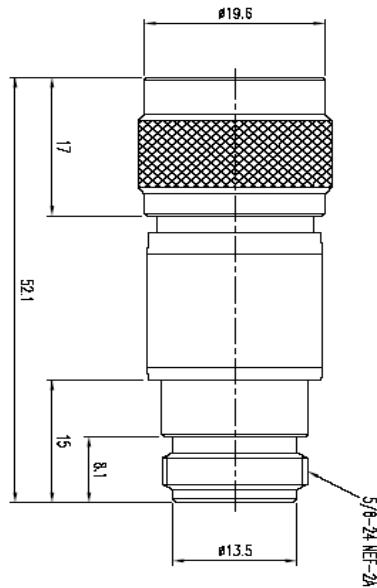
Model RMDC.5000Nmf

50ohm Type N

Frequency Range (MHz)	Insertion Loss (dB max)	Voltage Rating (V)	VSWR (max)	Power
DC-5000	0.4	250	1.20:1	100W CW

Notes:

- a. Connector: N male/female
- b. Operation temperature: -55C to +85C deg
- c. Case material: brass with ternary alloy plate



All specifications are subject to change without notice.

Dimensions: mm

Telephone: 978-772-3767

Fax: 978-772-3768

www.responsemicrowave.com

Rev 04/02/12