



94 JACKSON ROAD, SUITE 110, DEVENS , M A 0 1 4 3 4

Coaxial Rotary Joints

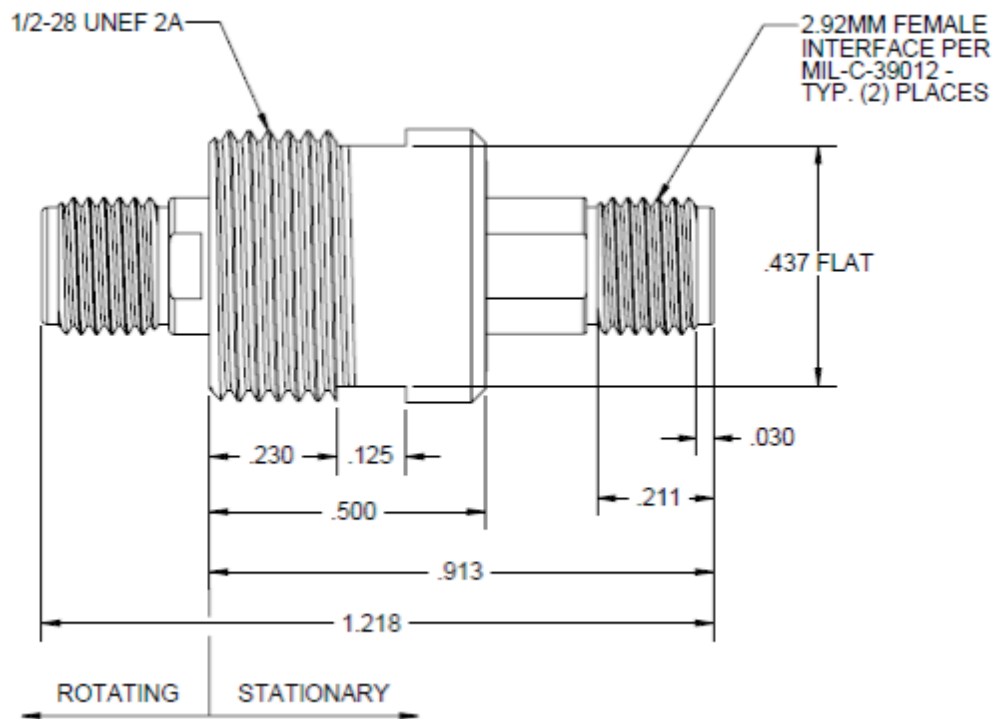
Model RMRJ.4000Kff

In-line 2.92mm female

Frequency (MHz)	Insertion Loss (dB max)	VSWR (max)	Rotational Effect (WOW)	Rotational Speed (continuous)	Starting Torque (max)
DC-40000	1.0	1.7:1	1.01/360°	250rpm	5oz-in

Notes:

- Input and output impedance: 50 Ohms
- Connector: 2.92mm female (SMA available)
- Power: 100 W @ 1GHz
- Case material: stainless/passivate
- Operation temperature: -35C to +80C deg
- Life tested to over 1 million revolutions



Telephone: 978-772-3767

Fax: 978-772-3768

www.responsemicrowave.com



94 JACKSON ROAD, SUITE 110, DEVENS , M A 0 1 4 3 4

All specifications are subject to change without notice.

Telephone: 978-772-3767

Fax: 978-772-3768

www.responsemicrowave.com