



94 JACKSON ROAD, SUITE 110, DEVENS, MA 01434 USA

Quadrature Hybrid

Model RMHY3.800-2500Sf

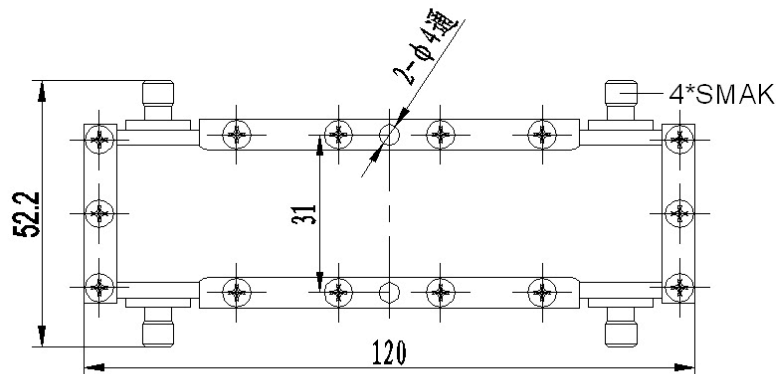
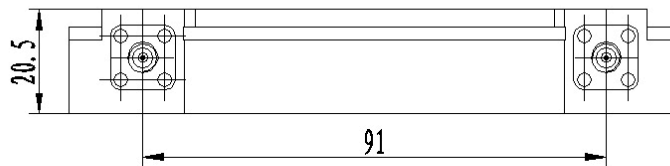
3dB Quadrature Hybrid - SMA female

Electrical Specifications:

Frequency (MHz)	Coupling (dB)	Unbalance (dB)	Insertion Loss (dB max)	Isolation (dBmin)	VSWR (max)	Power
800-2500	3 +/- 0.5dB	+/-0.4	0.5	22	1.3:1	100W CW

Notes:

- Input and output impedance: 50 Ohms
- Connector: SMA female (4) places
- Insertion loss is the actual dissipated and reflected loss and does not include coupling loss
- Unbalance is the maximum in-band coupling loss variation
- Case material: Aluminum alloy
- Operation temperature: -35C to +80C deg
- PIM = -120dBc
- RoHS Compliant per Council Directive 2002/95/EC



Telephone: 978-772-3767

Fax: 978-772-3768

www.responsemicrowave.com



94 JACKSON ROAD, SUITE 110, DEVENS, MA 01434 USA

Dimensions in mm. All specifications are subject to change without notice.

Telephone: 978-772-3767

Fax: 978-772-3768

www.responsemicrowave.com

Rev 07/06/05