



94 JACKSON ROAD, SUITE 110, DEVENS, MA 01434 USA

## Quadrature Hybrid

Model RMHY3.1000Sf

3dB Quadrature Hybrid - SMA female

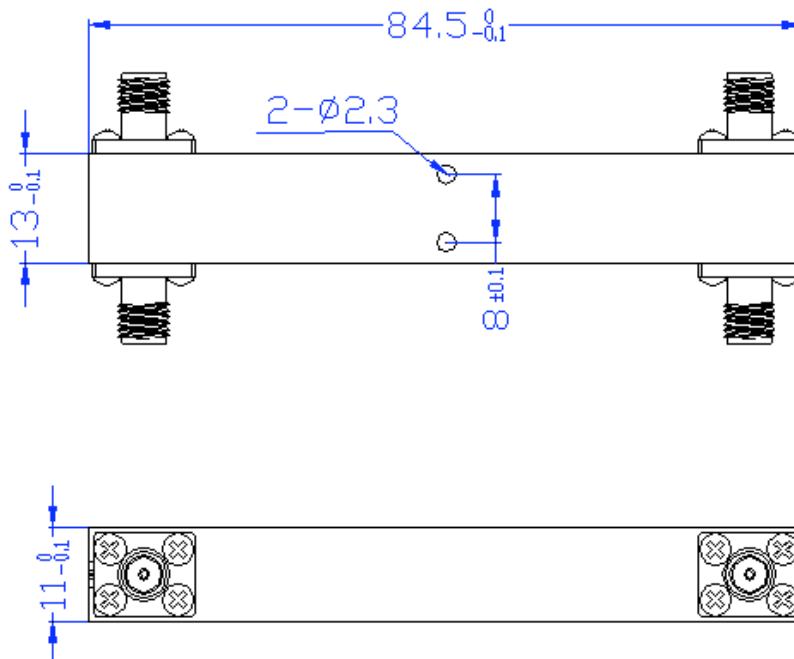
### Electrical Specifications:

Frequency (MHz)	Coupling (dB)	Unbalance (dB)	Insertion Loss (dB max)	Isolation (dBmin)	VSWR (max)	Power
500-1000	3 +/- 0.5dB	+/-0.5	0.5	20	1.4:1	100W CW

### Notes:

- Input and output impedance: 50 Ohms
- Connector: SMA female (4) places
- Insertion loss is the actual dissipated and reflected loss and does not include coupling loss
- Unbalance is the maximum in-band coupling loss variation
- Case material: Aluminum alloy
- Operation temperature: -35C to +80C deg
- RoHS Compliant per Council Directive 2002/95/EC

Dimensions in mm. A specifications are subject to change without notice.



Telephone: 978-772-3767

Fax: 978-772-3768

[www.responsemicrowave.com](http://www.responsemicrowave.com)