



94 JACKSON ROAD, SUITE 110, DEVENS, MA 01434 USA

Quadrature Hybrid

Model RMHY3.1000-12400Sf 3dB SMA female

Electrical Specifications:

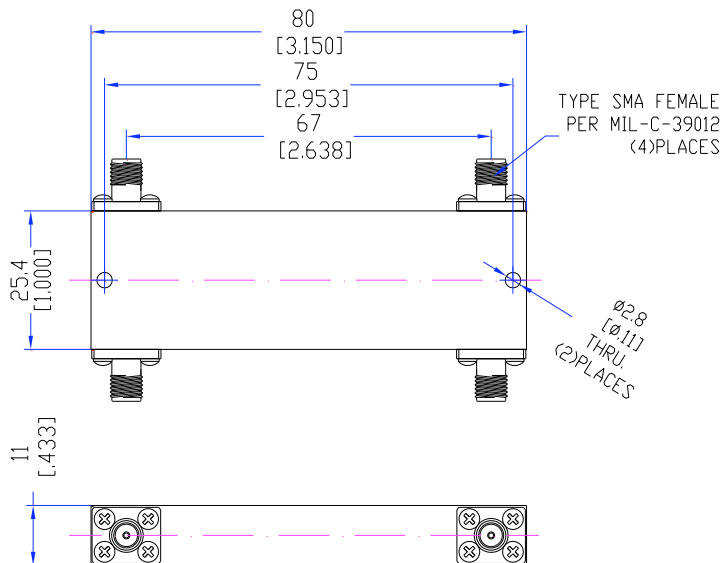
Frequency (MHz)	Coupling (dB)	Unbalance (dB)	Insertion Loss (dB max)	Isolation (dBmin)	VSWR (max)
1000-12400	3+/-0.5	+/-0.8	1.3	18	1.40:1

Notes:

- Input and output impedance: 50 Ohms
- Connector: SMA female 4 places
- Power: Forward/Reverse ≤ 50 W avg/3KW peak
- Case material: Aluminum alloy with black paint
- Connectors: stainless/passivate
- Operation temperature: -40C to +70C deg
- Operating Humidity up to 90% non-condensing

Complies with the requirement set out the Council Directive 2002/95/EC. The following standards were applies: EPA3050B&AAS, EPA3060A&EPA7196, EPA3052&AAS, EN1122: 2001&AAS, EPA3540C&GC-MS

All specifications are subject to change without notice.



Telephone: 978-772-3767

Fax: 978-772-3768

www.responsemicrowave.com