



94 JACKSON ROAD, SUITE 110, DEVENS, MA 01434 USA

## Power Combiner/Divider

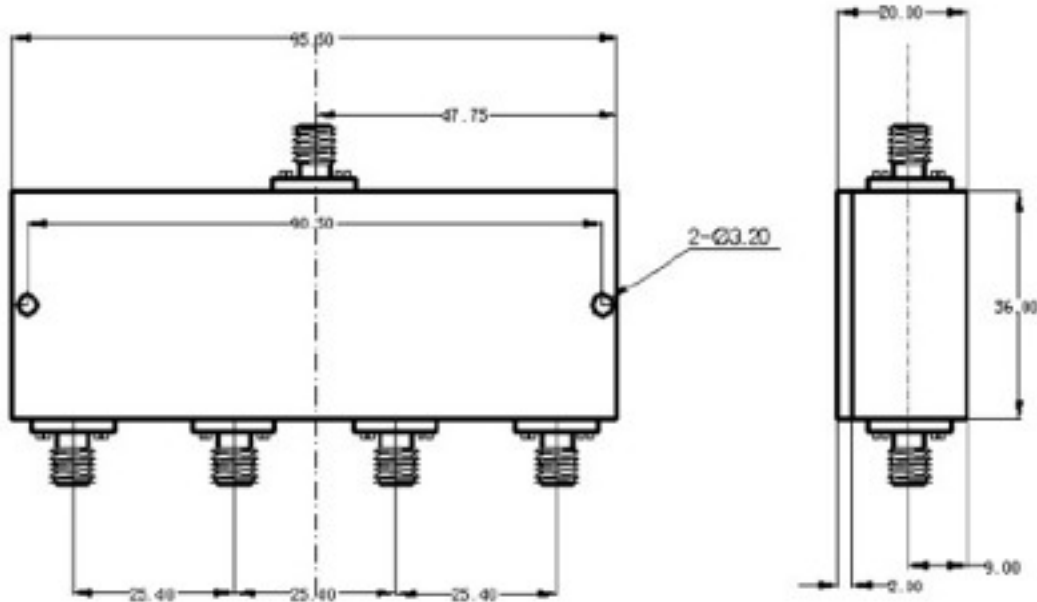
Model RMPD4.5-500Sf

4-Way, 0° SMA female

Frequency (MHz)	Insertion Loss (dB max)	Isolation (dB min)	VSWR (typ)	Phase Balance (° max)	Amplitude Balance (dB max)
5 - 500	1.5	20	1.25:1	6	0.4

### Notes:

- Input and output impedance: 50 Ohms
- Connector: SMA female 5 places
- Power: Forward 50 W Reverse: 1W
- Case material: Aluminum alloy with iridite finish
- Operation temperature: -55C to +85C deg



All specifications are subject to change without notice.

Telephone: 978-772-3767

Fax: 978-772-3768

[www.responsemicrowave.com](http://www.responsemicrowave.com)