



94 JACKSON ROAD, SUITE 110, DEVENS, MA 01434 USA

## Power Divider / Splitters

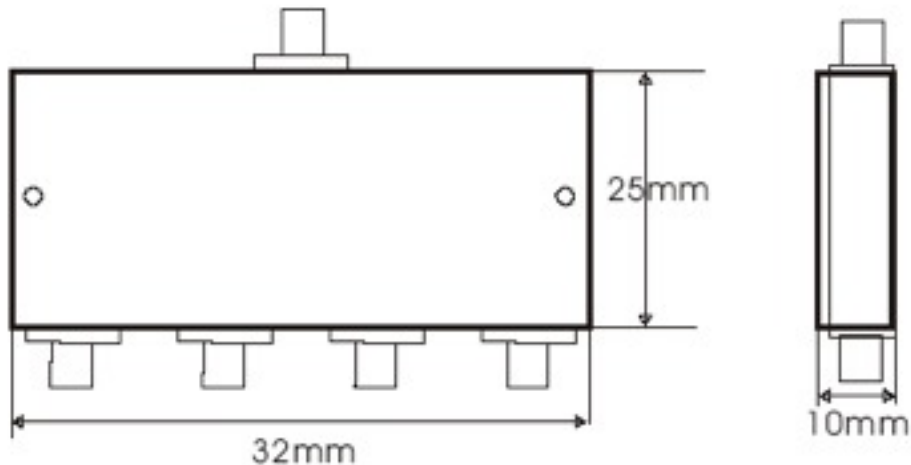
Model RMPD4.200Sf

4 way Power Divider SMA female

Frequency (MHz)	Insertion Loss (dB max)	Isolation (dB min)	VSWR (typ)	Phase Balance ( $^{\circ}$ max)	Amplitude Balance (dB max)
1 - 200	0.4	30	1.15:1	4	0.2

### Notes:

- Input and output impedance: 50 Ohms
- Connector: SMA female
- Power: 15w forward,  $\leq 1$  W reverse
- Case material: Aluminum alloy with Nickel-plating, logo/date code laser engraved.
- Operation temperature: -35C to +85C deg



All specifications are subject to change without notice.

Telephone: 978-772-3767

Fax: 978-772-3768

[www.responsemicrowave.com](http://www.responsemicrowave.com)