



94 JACKSON ROAD, SUITE 110, DEVENS, MA 01434 USA

## Power Divider/Splitters

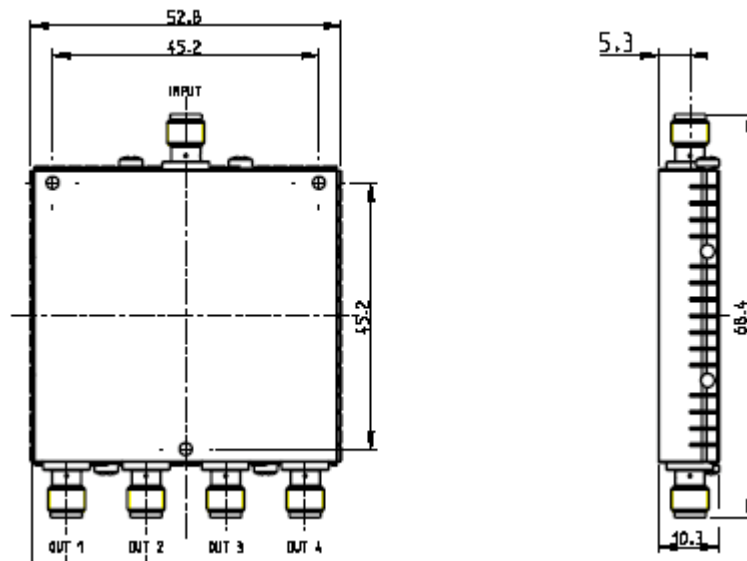
Model RMPD4.1650Sf

4-way Power Divider SMA female

| Frequency (MHz) | Insertion Loss (dB max) | Isolation (dB min) | VSWR (max) | Phase Balance ( $^{\circ}$ max) | Amplitude Balance (dB max) |
|-----------------|-------------------------|--------------------|------------|---------------------------------|----------------------------|
| 800 - 1650      | 0.4                     | 25                 | 1.4:1      | 5                               | 0.5                        |

### Notes:

- Input and output impedance: 50 Ohms
- Connector: SMA female (5 places)
- Power: input:  $\leq 15$  W
- Case material: Aluminum alloy with iridite plating
- Operation temperature:  $-35^{\circ}\text{C}$  to  $+80^{\circ}\text{C}$  deg



All specifications are subject to change without notice.

Telephone: 978-772-3767

Fax: 978-772-3768

[www.responsemicrowave.com](http://www.responsemicrowave.com)