



94 JACKSON ROAD, SUITE 110, DEVENS, MA 01434 USA

Power Combiner/Divider

Model RMPD3.600-3000Nf

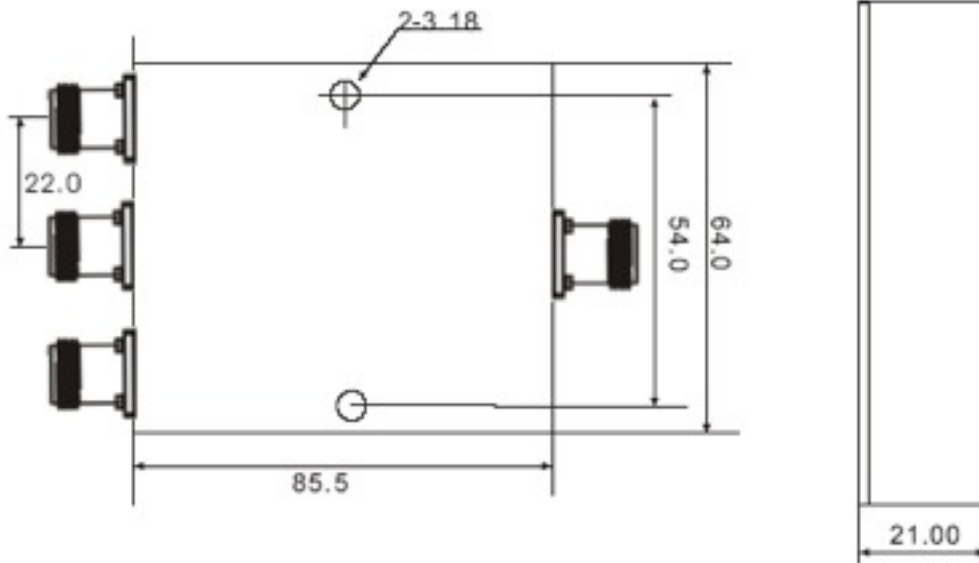
3-Way, 0° N female

Frequency (MHz)	Insertion Loss (dB typ)	Isolation (dB min)	VSWR (typ)	Phase Balance (° max)	Amplitude Balance (dB max)
600 - 3000	0.4	20	1.25:1	5	0.5

Notes:

- Input and output impedance: 50 Ohms
- Connector: N female 4 places
- Power: Forward 50 W CW Reverse: 1 W
- Case material: Aluminum alloy w/clear iridite finish
- Weatherized
- Operation temperature: -55C to +85C deg

Complies with the requirement set out the Council Directive 2002/95/EC. The following standards were applied: EPA3050B&AAS, EPA3060A&EPA7196,EPA3052&AAS,EN1122: 2001&AAS, EPA3540C&GC-MS



Telephone: 978-772-3767

Fax: 978-772-3768

www.responsemicrowave.com



94 JACKSON ROAD, SUITE 110, DEVENS, MA 01434 USA
All specifications are subject to change without notice.

Telephone: 978-772-3767

Fax: 978-772-3768

www.responsemicrowave.com