



94 JACKSON ROAD, SUITE 110, DEVENS, MA 01434 USA

Power Divider / Splitters

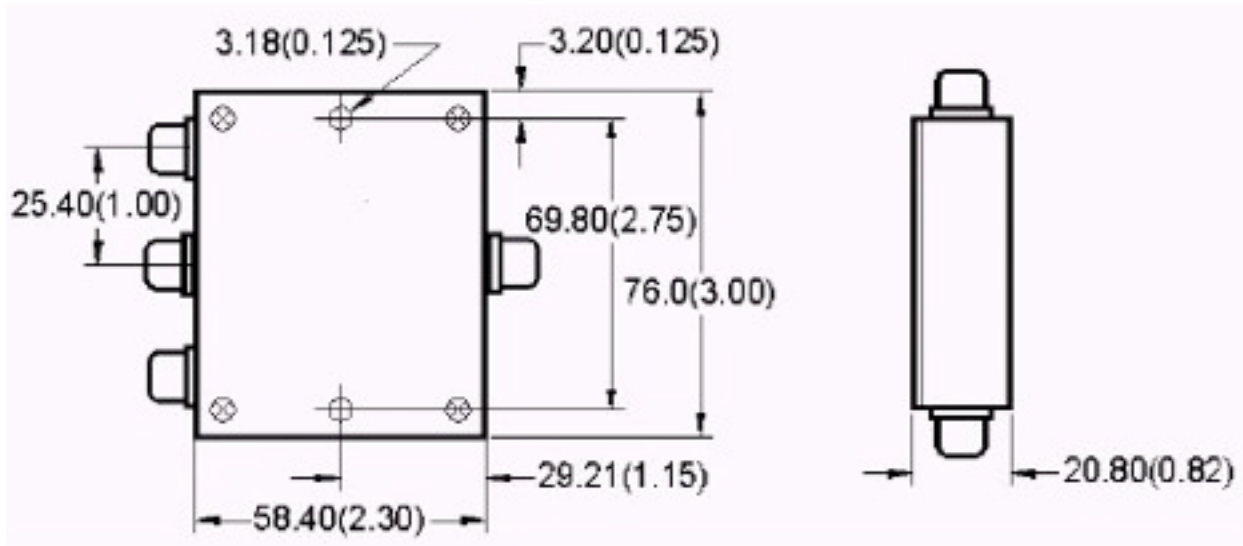
Model RMPD3250Sf

3 way power divider SMA female

Frequency (MHz)	Insertion Loss (dB typ/max)			Isolation (dB typ/min)			VSWR (typ/min)	Phase Balance (°) Max	Amplitude Balance (dB) Max
	L	M	U	L	M	U			
100 - 250	0.6/1.0	0.4/0.8	0.6/1.0	25/20	30/20	25/20	1.25/1.4	5	0.5

Notes:

- Input and output impedance: 50 Ohms
- Connector: SMA female, (options: SMA, BNC, TNC & Reverse Polarity versions)
- Power: reverse: ≤ 1 W, forward: ≤ 15 W
- Case material: Aluminum alloy with Nickel-plating, logo/date code laser engraved.
- Operation temperature: -35C to +80C deg



All specifications are subject to change without notice.

Telephone: 978-772-3767

Fax: 978-772-3768

www.responsemicrowave.com