



94 JACKSON ROAD, SUITE 110, DEVENS, MA 01434 USA

Power Divider / Splitters

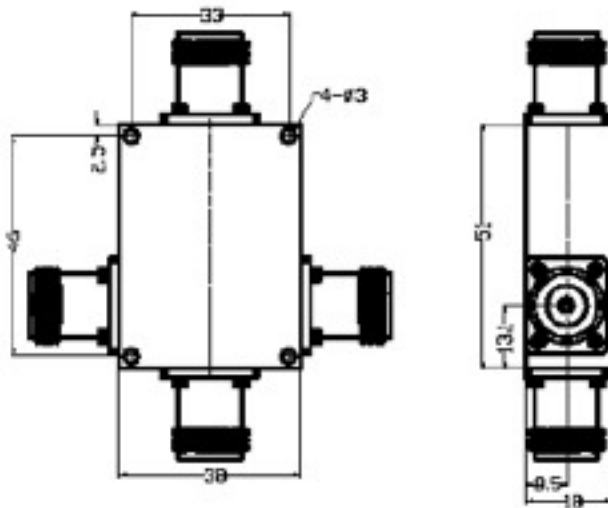
Model RMPD3.2500NTS

3 way power divider Type N female

Frequency (MHz)	Insertion Loss (dB typ)	Isolation (dB min)	VSWR (max)	Phase Balance ($^{\circ}$ max)	Amplitude Balance (dB max)
800 - 2500	0.8	20	1.5:1	4	0.5

Notes:

- Input and output impedance: 50 Ohms
- Connector: N female jacks, (options: SMA, BNC, TNC & Reverse Polarity versions)
- Power: ≤ 1 W
- Case material: Aluminum alloy with Nickel-plating, logo/date code laser engraved.
- Operation temperature: -35°C to $+80^{\circ}\text{C}$ deg



All specifications are subject to change without notice.

Telephone: 978-772-3767

Fax: 978-772-3768

www.responsemicrowave.com