



94 JACKSON ROAD, SUITE 110, DEVENS, MA 01434 USA

Power Combiner/Divider

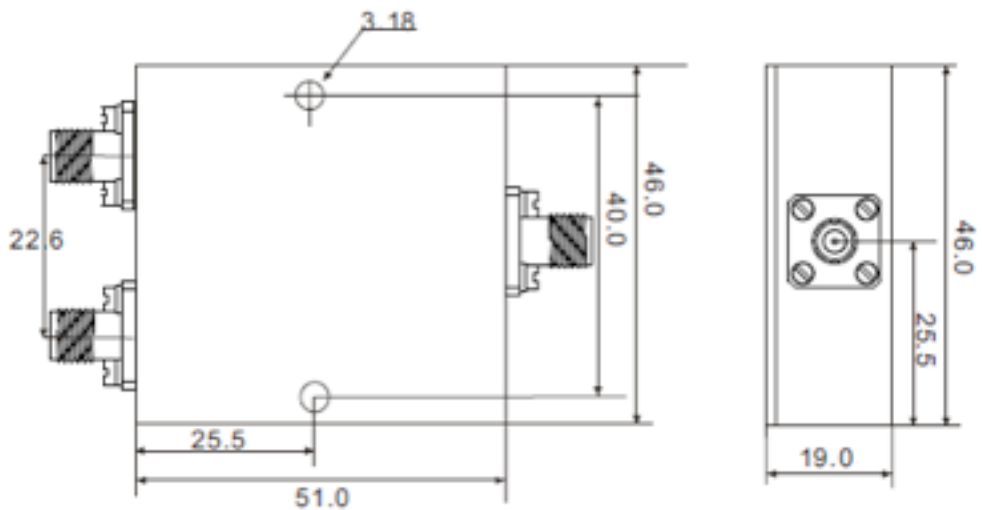
Model RMPD2.700-2700Sf

2-Way, 0° SMA female

Frequency (MHz)	Insertion Loss (dB max)	Isolation (dB min)	VSWR (max)	Phase Balance (°)	Amplitude Balance (dB)
700 - 2700	0.4	22	1.3:1	2	0.2

Notes:

- Input and output impedance: 50 Ohms
- Connector: SMA female 3 places
- Power: Forward 50 W
- Case material: Aluminum alloy with clear iridite plate
- Operation temperature: -55C to +85C deg



All specifications are subject to change without notice.

Telephone: 978-772-3767

Fax: 978-772-3768

www.responsemicrowave.com