



94 JACKSON ROAD, SUITE 110, DEVENS, MA 01434 USA

Power Divider / Splitters

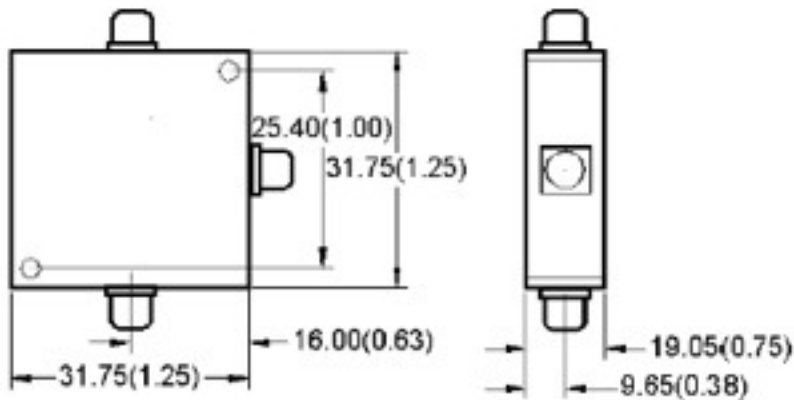
Model RMPD2.100-250Sf

2 way Power Divider SMA female

Freq. Range (Mhz) F _L -F _U	Insertion Loss(dB)			Isolation (dB)			VSWR	Unbalance					
	L	M	U	L	M	U		Phase (Deg)			Amplitude(dB)		
							Typ/Max	Typ/Max	Typ/Max	Typ/Min	Typ/Min	Typ/Min	Typ/Max
100-250	0.2/0.5	0.3/0.6	0.6/0.8	30/25	25/20	25/20	1.2/1.4	2	3	4	0.15	0.2	0.3

Notes:

- Input and output impedance: 50 Ohms
- Connector: SMA female, (options: N, BNC, TNC & Reverse Polarity versions)
- Output Power: reverse: ≤ 1 W, forward: ≤ 15 W
- Case material: Aluminum alloy with Nickel-plating, logo/date code laser engraved
- Operation temperature: -35C to +85C deg



All specifications are subject to change without notice.

Telephone: 978-772-3767

Fax: 978-772-3768

www.responsemicrowave.com