



94 Jackson Road Suite 110 Devens, MA 01434-4012 USA

Power Dividers / Combiners

Model RMPD2.1.6-1.9Sf

2-Way Power Divider SMA Female

Electrical Specifications:

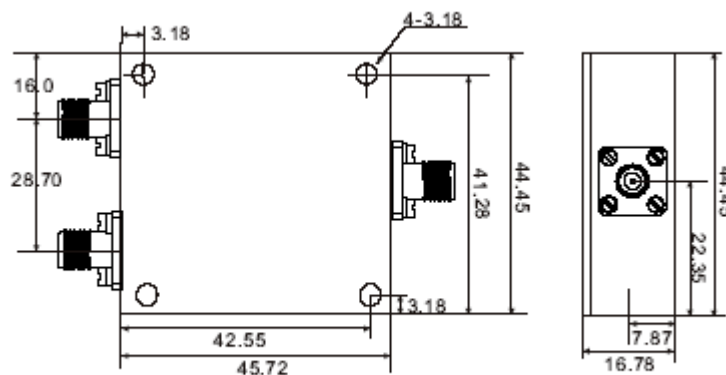
Frequency MHz	Insertion Loss (dB)	Isolation (dB)	VSWR	Unbalance	
	typ/max	typ/max	typ/max	Phase °	Amp (dB)
1600 – 1900	0.15/0.4	35/22	1.15:1/1.3:1	2	0.2

Mechanical Specifications:

Length Body	Width Body	Height Body
1.80 inches	1.75 inches	0.66 inches

Notes:

- Input and output impedance: 50 Ohms
- Connectors: SMA Female
- Power Handling: ≤ 50 Watt max Input ≤ 1.0 Watt Output
- Housing Material: Aluminum Alloy
- Marking: Laser Engraved
- Operation temperature: -35 °C to $+80$ °C deg
- RoHS Compliant to Council Directive 2002/95/EC



All specifications are subject to change without notice.

Telephone: 978-772-3767

Fax: 978-772-3768

www.responsemicrowave.com