



94 JACKSON ROAD, SUITE 110, DEVENS, MA 01434 USA

## Power Combiner/Divider

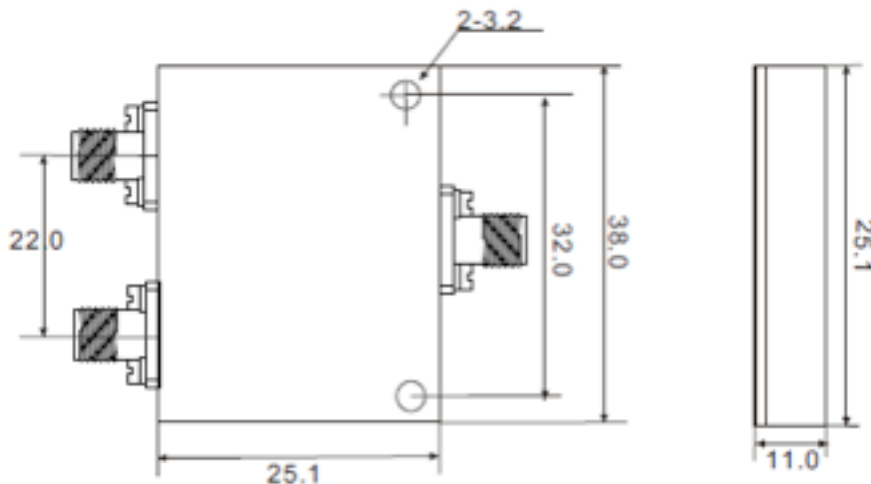
Model RMPD2.1-100Sf

2-Way, 0° SMA female

Frequency (MHz)	Insertion Loss (dB max)	Isolation (dB min)	VSWR (max)	Phase Balance (°)	Amplitude Balance (dB)
1 - 100	0.5	25	1.4:1	2	0.2

### Notes:

- Input and output impedance: 50 Ohms
- Connector: SMA female 3 places
- Power: Forward 30 W
- Case material: Aluminum alloy with golden iridite plate
- Operation temperature: -55C to +85C deg



All specifications are subject to change without notice.

Telephone: 978-772-3767

Fax: 978-772-3768

[www.responsemicrowave.com](http://www.responsemicrowave.com)