



94 JACKSON ROAD, SUITE 110, DEVENS, MA 01434

Electromechanical Line Stretcher

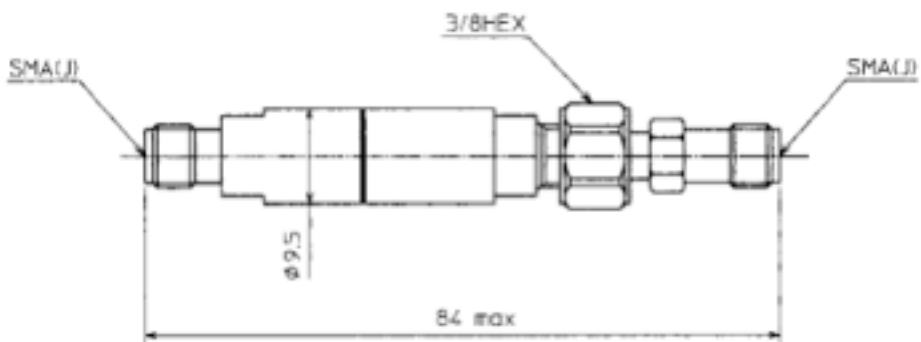
Model RMLS.18000Sff

SMA female/female

Frequency Range (MHz) FL-FU	Insertion Loss (dB max)	Impedance	VSWR (max)	Phase Variation (deg/GHz)
DC-18000	$0.2 + 0.04/f$	50 Ω	$\leq 1.35:1$	15

Notes:

- a. Connector: SMA female/female
- b. Operation temperature: -65C to +125C deg
- c. Case material: SS/P



All specifications are subject to change without notice.

Dimensions: mm

Telephone: 978-772-3767

Fax: 978-772-3768

www.responsemicrowave.com

Rev04/04/12