



94 JACKSON ROAD, SUITE 110, DEVENS, MA 01434

Filters/Diplexers

Model RMFI.2498Nf

WiFi bandpass Filter, N Female

SPECIFICATIONS

Model Number	Frequency (MHz)	Rejection (dB)	VSWR (max)	Insertion Loss (dB)
RMFI.2498Nf	2398 - 2498	>60	1.40 : 1	0.25(nominal) 0.3 (max)

Parameter	Specification	
Frequency Range	2398.0~2498.0MHz	
Bandwidth	100.0MHz	
Insertion Loss	0.25dB nominal	
Pass Band Ripple	0.25dB Max.	
Return Loss	15dB Min.	
Out of Band Rejection	2000.0MHz	80.0dB Min.
	2700.0MHz	60.0dB Min.
Power Handling	50.0 Watts	
Input/Output Impedance	50.0Ohm	
Operation Temperature Range	-40°C ~ +85°C	
Connectors	N-Female	
Mechanical Dimension(WxDxH)	78.0 x 78.0 x31.0	

Notes:

- a. *RoHS Compliant*

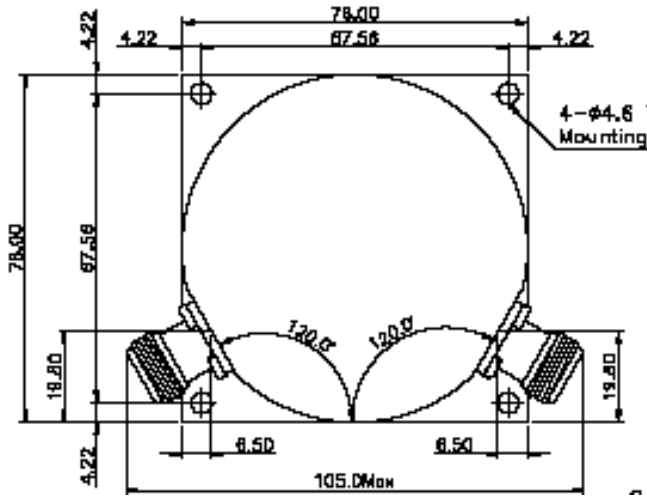
Telephone: 978-772-3767

Fax: 978-772-3768

www.responsemicrowave.com



94 JACKSON ROAD, SUITE 110, DEVENS, MA 01434



Telephone: 978-772-3767

Fax: 978-772-3768

www.responsemicrowave.com