



94 JACKSON ROAD, SUITE 110, DEVENS, MA 01434

## Filters/Diplexers

Model RMDU.699-746Nf

DUPLEXER, N Female

### SPECIFICATIONS

ITEM	Specification		Remark
Frequency range	RX(UL)	TX(DL)	
	699.3~714.8MHz	728~746MHz	
Insertion Loss(BW)	1.0 dB Typ(25□). 1.2dB Max(80□)		
Return Loss(BW)	17.0dB Min.		
Isolation	40dB		
Port Impedance	50.0 Ohm		
Power Handling	50.0W(C.W)		
Temperature range	-20.0 to +80.0		
Connector(ANT/RX/TX)	Type N Female		
Size	126.0 x 56.0 x 62.0		Unit : mm
Finish	Black Epoxy coating		
ROHS compliant			

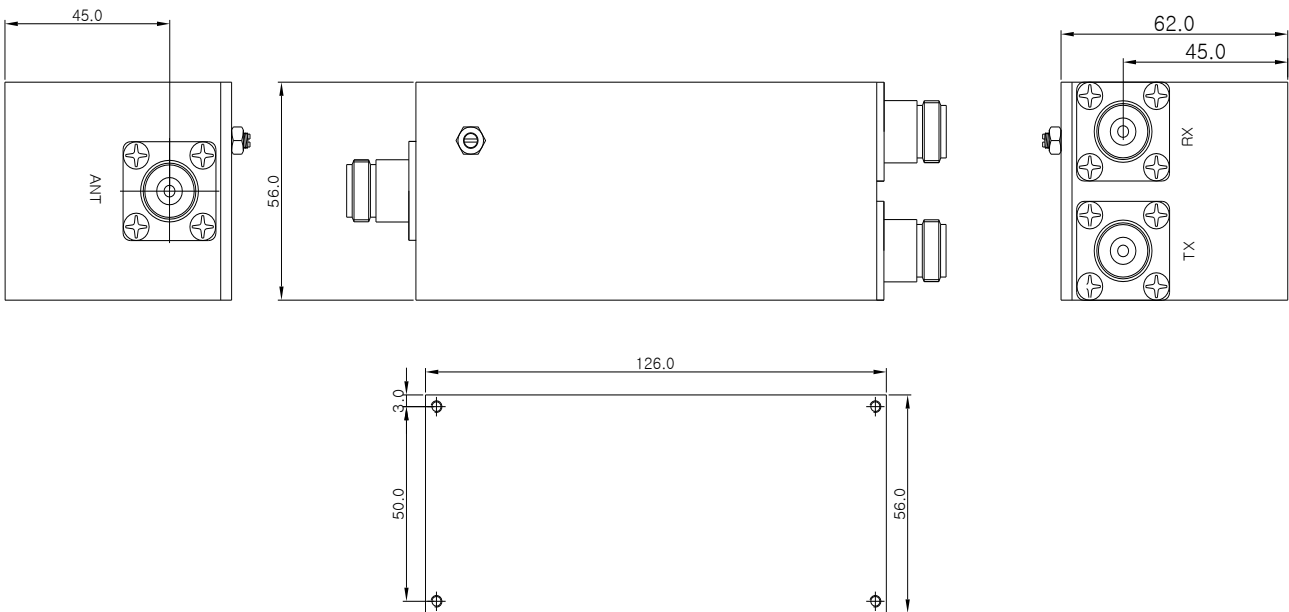
Telephone: 978-772-3767

Fax: 978-772-3768

[www.responsemicrowave.com](http://www.responsemicrowave.com)



94 JACKSON ROAD, SUITE 110, DEVENS, MA 01434



Telephone: 978-772-3767

Fax: 978-772-3768

[www.responsemicrowave.com](http://www.responsemicrowave.com)