



94 JACKSON ROAD, SUITE 110, DEVENS, MA 01434 USA

Directional Coupler

Model RMCO50.2000-4000NSMAff
50dB, High Power N female to SMA female

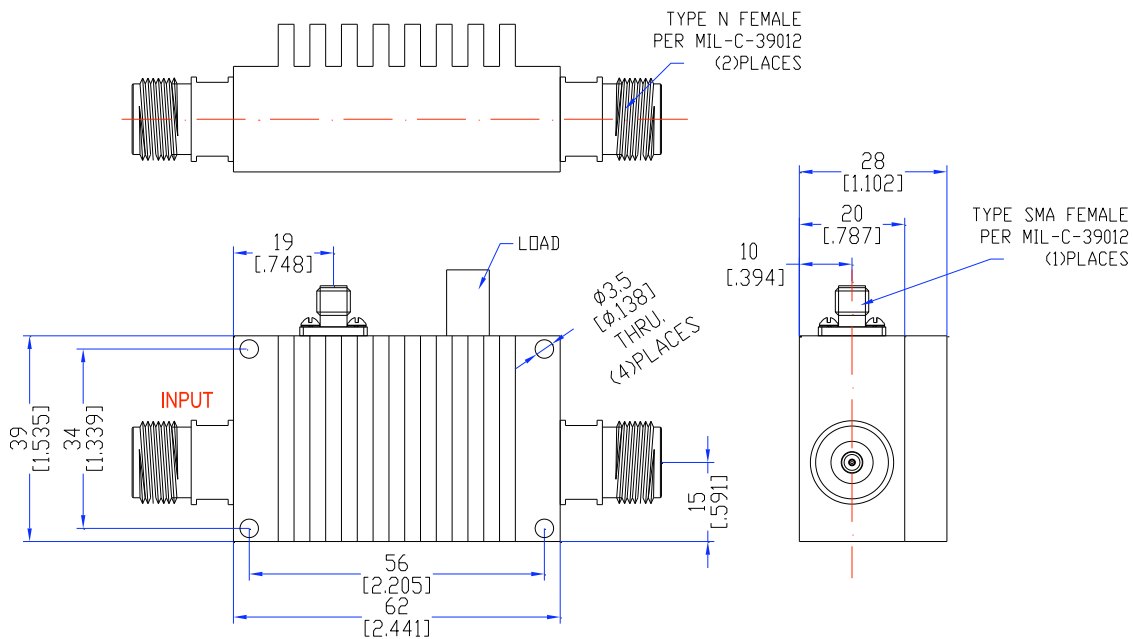
Electrical Specifications:

Frequency (MHz)	Coupling (dB)		Insertion Loss (dB max)	Directivity (dB min)	VSWR (max)
	Norm.	Flat.			
2000 – 4000	50 ± 1.0	± 1.0	0.25	18	1.20 : 1

Notes:

- Input and output impedance: 50 Ohms
- Connector: Main=N female, Coupled=SMA female
- Power: 600 W avg/min, 1KW peak
- Case material: Aluminum alloy
- Operation temperature: -40°C to +70°C
- RoHS Compliant part

Dimensions in mm. All specifications are subject to change without notice.



Telephone: 978-772-3767

Fax: 978772-3768

www.responsemicrowave.com