



94 JACKSON ROAD, SUITE 110, DEVENS, MA 01434 USA

## Directional Coupler

Model RMCO10.4000-8000Sf

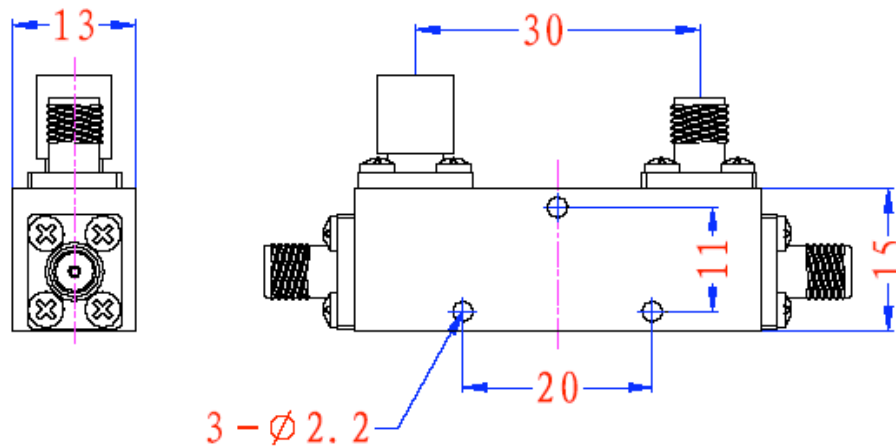
10dB Directional Coupler SMA female

Frequency (MHz)	Coupling (dB)		Insertion Loss (dB max)	Directivity (dB min)	VSWR (max)
	Norm.	Flat.			
4000 – 8000	10 ± 0.5	± 0.5	0.7	18	1.25 : 1

### Notes:

- Input and output impedance: 50 Ohms
- Connector: SMA female 3 places, removable termination 1 place
- Power: Forward/Reverse ≤ 50 W
- Case material: Aluminum alloy with gray paint
- Operation temperature: -40C to +70C deg

*Complies with the requirement set out the Council Directive 2002/95/EC. The following standards were applies: EPA3050B&AAS, EPA3060A&EPA7196, EPA3052&AAS, EN1122: 2001&AAS, EPA3540C&GC-MS*



Measurements are in mm.

All specifications are subject to change without notice.

Telephone: 978-772-3767

Fax: 978-772-3768

[www.responsemicrowave.com](http://www.responsemicrowave.com)