



94 JACKSON ROAD, SUITE 110 DEVENS, MA 01451

Isolators / Circulators

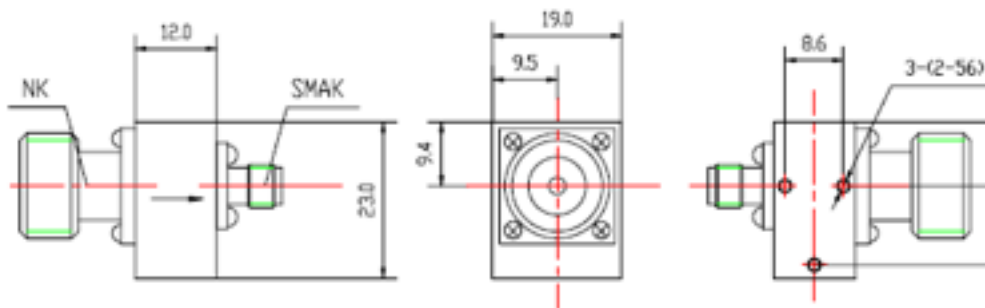
Model RMIS23.13750-14500SNff
female/female

23dB Isolator SMA/N

Frequency (MHz)	Forward Insertion Loss (dB max)	Reverse Isolation (dB min)	VSWR (max)	Power (Watt)
13750 - 14500	0.4	23	1.20 : 1	10

Notes:

- Input and output impedance: 50 Ohms
- Connector: N female
- Case material: Aluminum alloy
- Operation temperature: -40C to +85C deg



All specifications are subject to change without notice.

Telephone: 978.456.9186 or 978.772.3767

Fax: 978.772.3768

www.responsemicrowave.com