



94 JACKSON RD, SUITE 110, DEVENS, MA 01434

## Isolators / Circulators

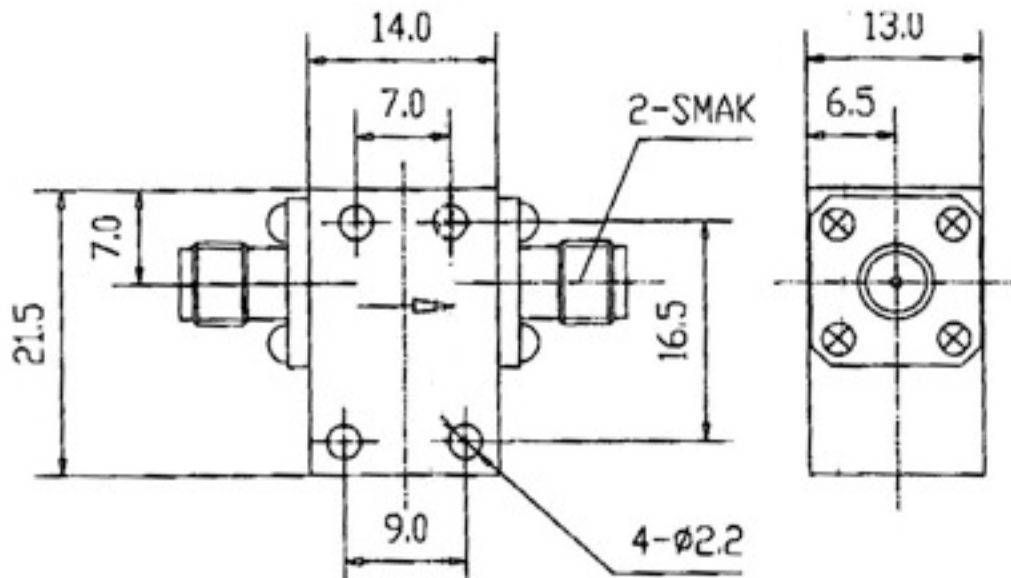
Model RMIS.5600-5650Sf

Isolator SMA female

Frequency (MHz)	Insertion Loss (dB max)	Isolation (dB min)	VSWR (max)
5600 - 5650	0.3	25	1.20 : 1

### Notes:

- Input and output impedance: 50 Ohms
- Connector: SMA female 2 places
- Power: forward - 10w
- Case material: Aluminum alloy with Nickel-plating
- Operation temperature: -20C to +85C deg



All specifications are subject to change without notice.

Telephone: 978-772-3767

Fax: 978-772-3768

[www.responsemicrowave.com](http://www.responsemicrowave.com)