



94 JACKSON RD, SUITE 110, DEVENS, MA 01434

Isolators / Circulators

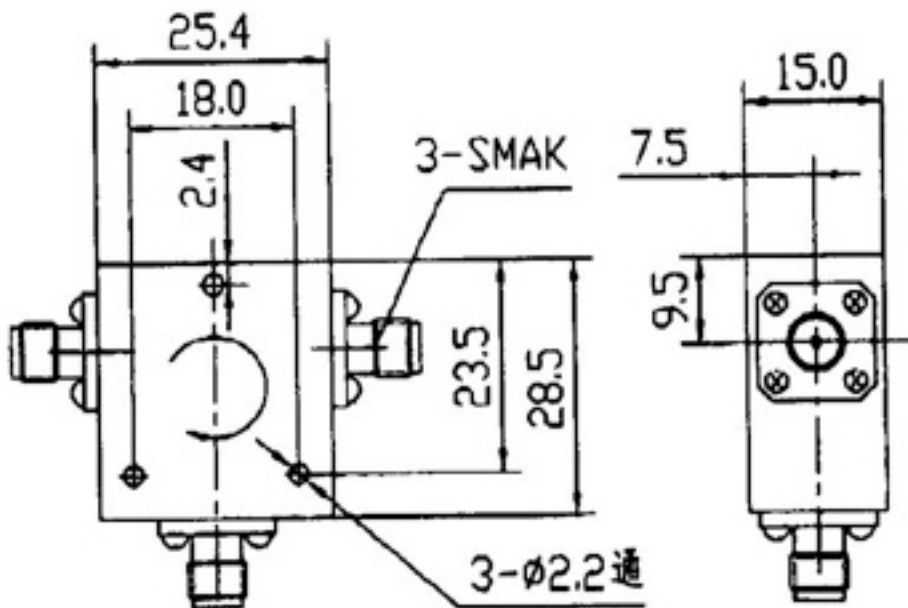
Model RMCI.1710-2155Sf

Circulator SMA female

Frequency (MHz)	Insertion Loss (dB max)	Isolation (dB min)	VSWR (max)
1710 - 2155	0.5	20	1.25 : 1

Notes:

- Input and output impedance: 50 Ohms
- Connector: SMA female 2 places
- Power: 100w
- Case material: Aluminum alloy with Nickel-plating
- Operation temperature: -30C to +70C deg



All specifications are subject to change without notice.

Telephone: 978-772-3767

Fax: 978-772-3768

www.responsemicrowave.com