



94 JACKSON ROAD, SUITE 110, DEVENS, MA 01434

COAXIAL ATTENUATOR

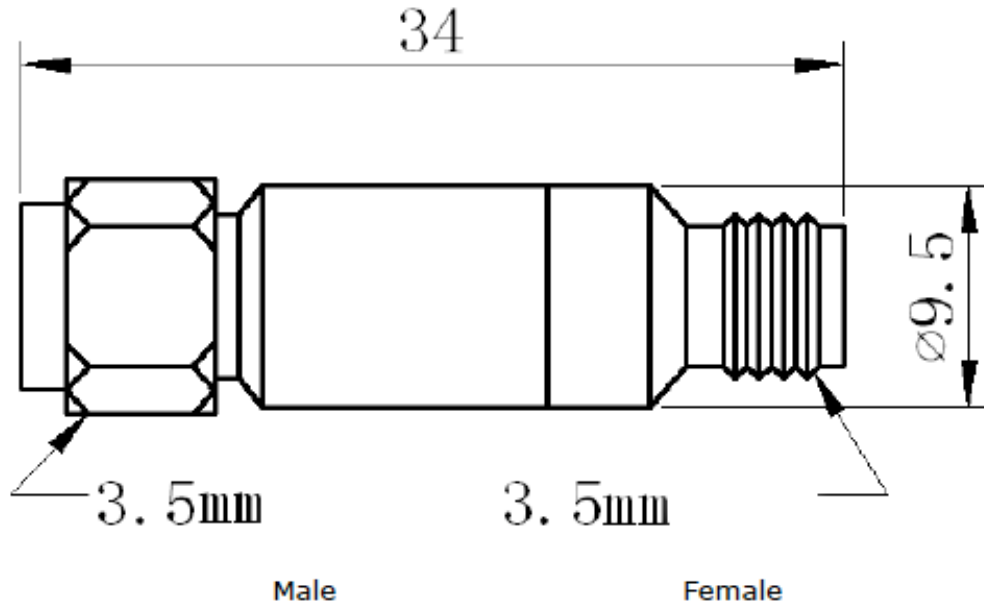
Model RMAT6.30000.35mf

Fixed Attenuator Type 3.5mm

| FREQUENCY (MHz) | ATTENUATION (dB max) | POWER (Watt) (avg/pk) | IMPEDANCE (Ω) | VSWR (max) |
|-----------------|----------------------|-----------------------|------------------------|------------|
| DC – 30000 | 6 +/- 1.0 | 1 / 2 | 50 | 1.35 : 1 |

Notes:

- a. Connector: 3.5mm male/female
- b. Operation temperature: -55C to +85C deg
- c. Size: 9.5mm x 34mm
- d. Tolerance +/- 2%



Units are mm.
Specifications are subject to change without notice.

Telephone: 978-772-3767

Fax: 978-772-3768

www.responsemicrowave.com