



94 JACKSON ROAD, SUITE 110, DEVENS, MA 01434

## Coaxial Attenuator

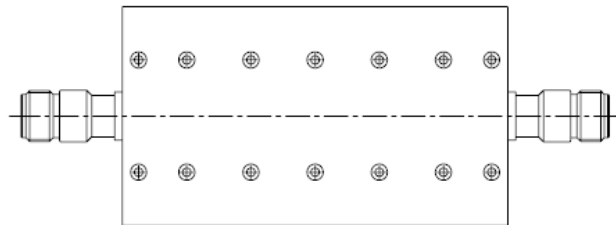
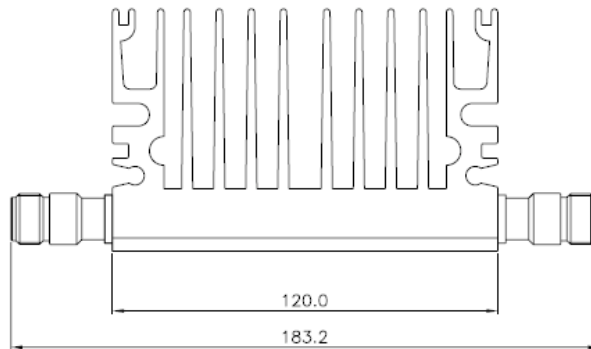
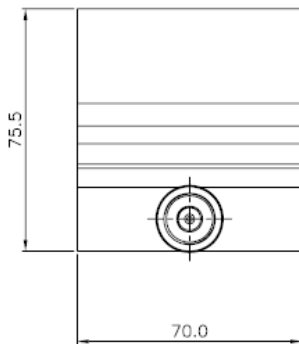
Model RMA30.3000Nmf50

Fixed Attenuator Type N

| FREQUENCY (MHz) | ATTENUATION (dB max) | POWER (Watt) (avg/pk) | IMPEDANCE ( $\Omega$ ) | VSWR (max) |
|-----------------|----------------------|-----------------------|------------------------|------------|
| DC – 3000       | 30 +/- 1.0           | 50 / 100              | 50                     | 1.30 : 1   |

**Notes:**

- a. Connector: N male/female
- b. Insert attenuation value at "xx"
- c. Operation temperature: -40C to +85C deg
- d. Materials:  
 Housing: Aluminum/black anodized  
 Connector Body: Brass/ternary plate  
 Connector Contact: Brass/gold



All specifications are subject to change without notice.

Telephone: 978-772-3767

Fax: 978-772-3768

[www.responsemicrowave.com](http://www.responsemicrowave.com)