



94 JACKSON ROAD, SUITE 110, DEVENS, MA 01434

COAXIAL ATTENUATOR

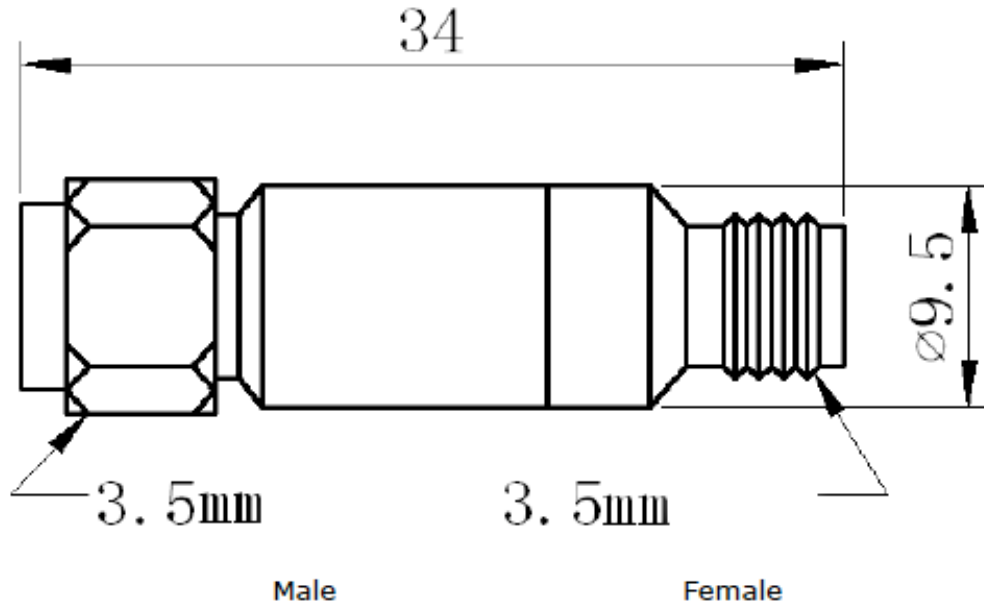
Model RMAT3.3000.35mf

Fixed Attenuator Type 3.5mm

FREQUENCY (MHz)	ATTENUATION (dB max)	POWER (Watt) (avg/pk)	IMPEDANCE (Ω)	VSWR (max)
DC - 30000	3 +/- 1.0	1 / 2	50	1.35 : 1

Notes:

- a. Connector: 3.5mm male/female
- b. Operation temperature: -55C to +85C deg
- c. Size: 9.5mm x 34mm
- d. Tolerance +/- 2%



Units are mm.

Specifications are subject to change without notice.

Telephone: 978-772-3767

Fax: 978-772-3768

www.responsemicrowave.com