



94 JACKSON ROAD, SUITE 110, DEVENS, MA 01434

Coaxial Attenuator

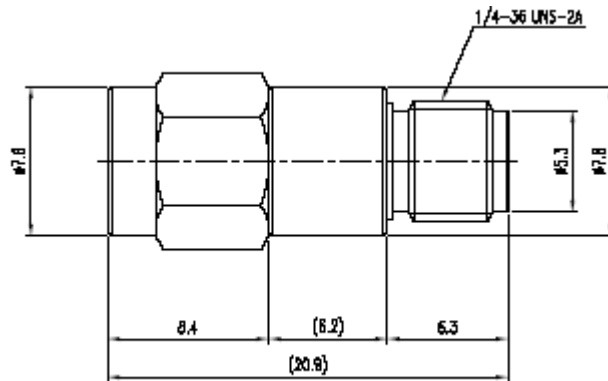
Model RMAT10.3000SMAmf

Fixed Attenuator – SMA

FREQUENCY (MHz)	ATTENUATION (dB max)	POWER (Watt) (avg/pk)	IMPEDANCE (Ω)	VSWR (max)	INSERTION LOSS (dB max)	FLATNESS (dB max)
DC – 3000	10 +/- 0.5	1 / 2	75	1.15 : 1	0.5	+/- 0.1

Notes:

- Connector: SMA female input / SMA male output
- Impedance: 50 ohms
- Operation temperature: -30C to +70C deg
- Case material: brass/gold plated



All specifications are subject to change without notice.

Telephone: 978-772-3767

Fax: 978.772.3768

www.responsemicrowave.com

Rev 8/06/12