



94 JACKSON ROAD, SUITE 110, DEVENS, MA 01434

Coaxial Attenuator

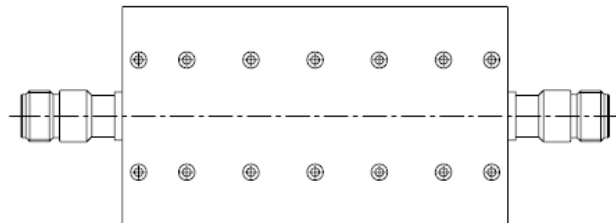
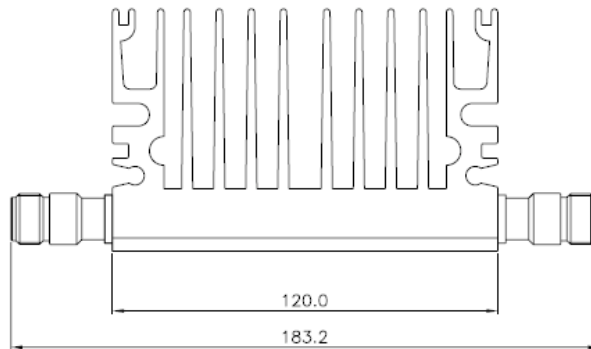
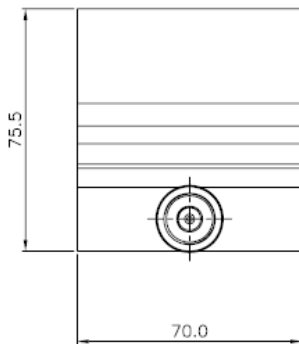
Model RMAT10.3000Nmf50

Fixed Attenuator Type N

FREQUENCY (MHz)	ATTENUATION (dB max)	POWER (Watt) (avg/pk)	IMPEDANCE (Ω)	VSWR (max)
DC – 3000	10 +/- 1.0	50 / 100	50	1.30 : 1

Notes:

- a. Connector: N male/female
- b. Insert attenuation value at "xx"
- c. Operation temperature: -40C to +85C deg
- d. Materials:
 Housing: Aluminum/black anodized
 Connector Body: Brass/ternary plate
 Connector Contact: Brass/gold



All specifications are subject to change without notice.

Telephone: 978-772-3767

Fax: 978-772-3768

www.responsemicrowave.com