



94 Jackson Road, Devens, MA . 01434-4012

ADAPTORS

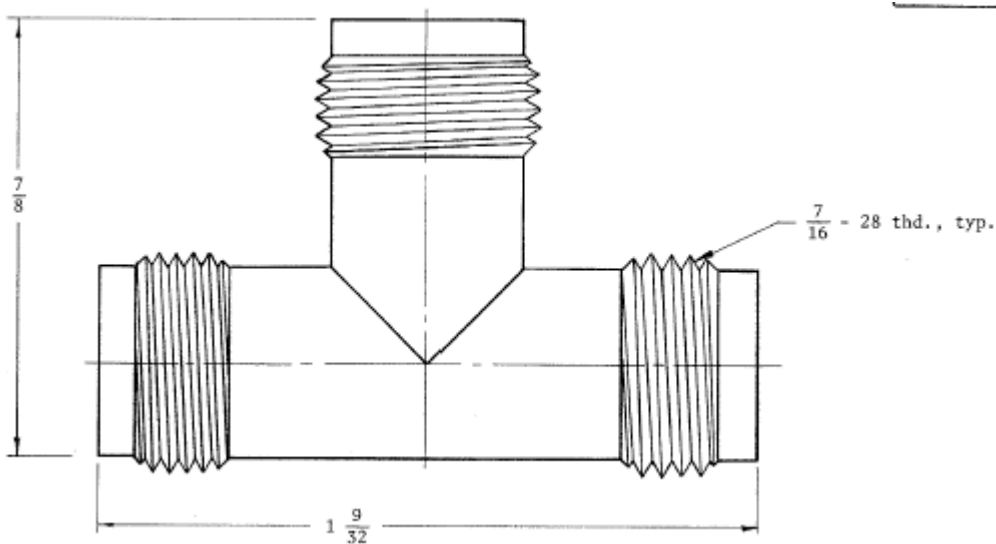
Model RMAD.IS.TNCfff

In Series -
TNC female/female/female Tee

Frequency (GHz)	Impedance (Ω)	VSWR (max)	Insertion Loss (dB min)
DC - 11	50	1.50:1	0.8

Notes:

- Material:
 - Body: brass/silver plated
 - Contacts: BeCu/gold
 - Dielectric: PTFE
 - Gasket: silicon
- Operation temperature: -55C to +85C deg
- Interface: per MIL-C-83517



All specifications are subject to change without notice.

Telephone: 978-772-3767

Fax: 978-772-3768

www.responsemicrowave.com