



94 JACKSON ROAD, SUITE 110, DEVENS, MA 01434

## ADAPTORS

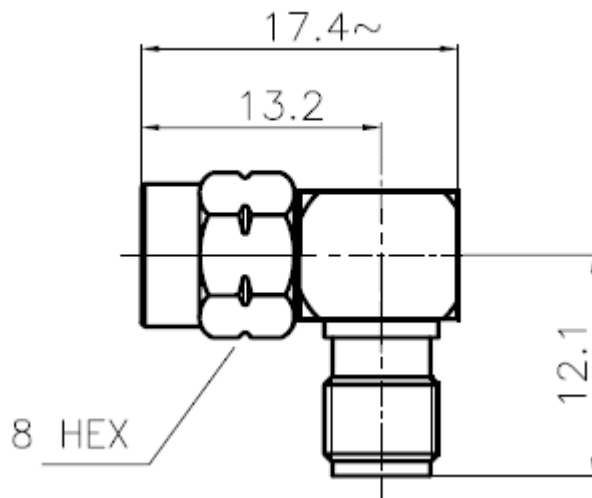
Model RMAD.IS.SMAmfRA

In Series – SMA R/A male/female

Frequency (GHz)	Impedance ( $\Omega$ )	VSWR (max)	Insertion Loss (dB f=frequency GHz)
DC – 18	50	$1.02 + 0.03 f$ (GHz)	$0.06/f$ GHz

### Notes:

- Material:  
Body: brass/gold  
Socket Contacts: BeCu/gold
- Operation temperature: -60C to +165C deg
- Interface: SMA per MIL-STD-348A
- Durability: 500 mating cycles



ALLSPECIFICATIONS SUBJECT TO CHANGE

Telephone: 978-772-3767

Fax: 978-772-3768

[www.responsemicrowave.com](http://www.responsemicrowave.com)