



94 JACKSON ROAD, SUITE 110, DEVENS, MA 01434

ADAPTORS

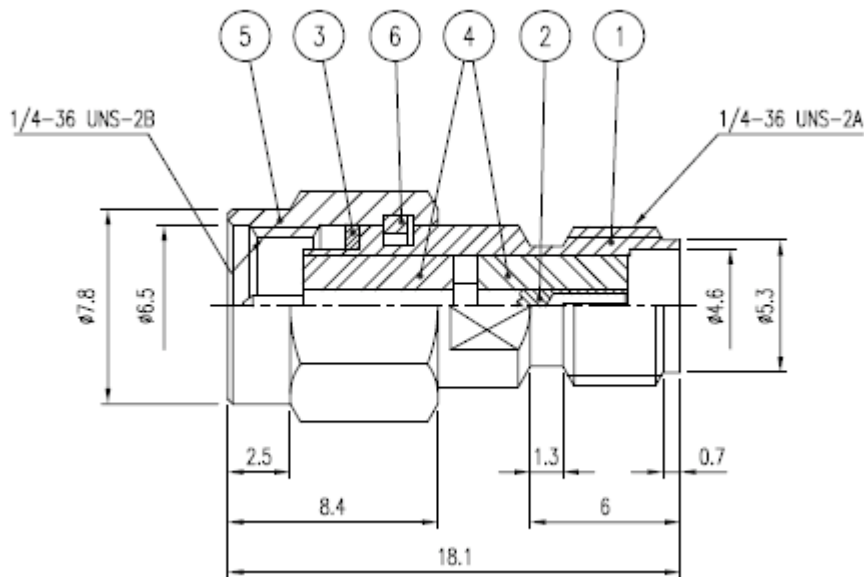
Model RMAD.IS.SMAmf

In Series – SMA male/female

Frequency (GHz)	Impedance (Ω)	VSWR (max)	Insertion Loss (dB f=frequency GHz)
DC – 18	50	$1.05 + 0.005 f$ (GHz)	$0.07 f^{1/2}$

Notes:

- Operation temperature: -65C to +105C deg
- Interface: SMA per MIL-C-83517 & IEC169-15



Item	Description	Material	Plating
1	Body	Brass	Gold
2	Contact	Brass	Gold
3	Gasket	Silicone	N/A
4	Insulator	Teflon	N/A
5	Coupling Nut	Brass	Gold
6	Spring Ring	Stainless Steel	Passivate

Telephone: 978-772-3767

Fax: 978-772-3768

www.responsemicrowave.com



94 JACKSON ROAD, SUITE 110, DEVENS, MA 01434

Telephone: 978-772-3767

Fax: 978-772-3768

www.responsemicrowave.com