



94 JACKSON ROAD, SUITE 110, DEVENS, MA 01434

ADAPTORS

Model RMAD.IS.SMA27ffBH

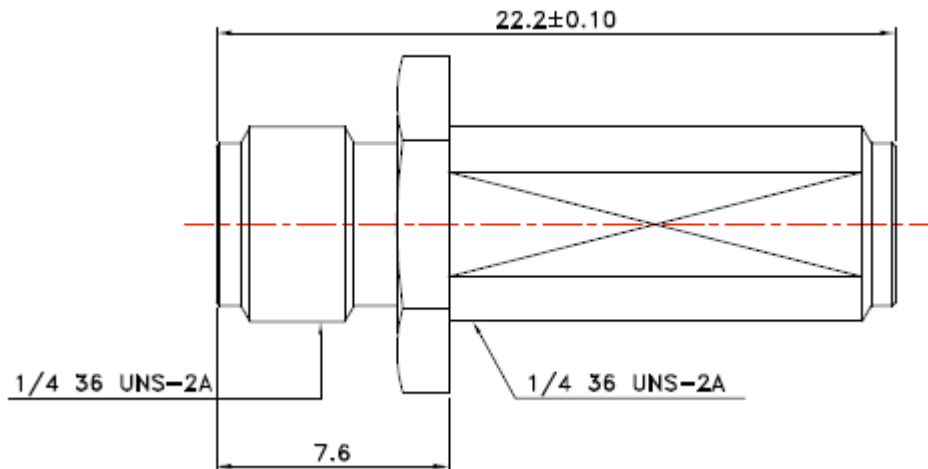
In Series – SMA female/female BH

Frequency (GHz)	Impedance (Ω)	VSWR (max)	Insertion Loss (dB f =frequency GHz)
DC – 27	50	1.25:1	$0.07 f^{1/2}$

Frequency	Insertion Loss	Impedance	VSWR
DC – 27GHz	$0.07 f^{1/2}$ dB <i>f=frequency GHz</i>	50ohms	1.25:1 max

Notes:

- a. Material:
 Body: stainless steel/passivate
 Socket Contacts: BeCu/gold
- b. Operation temperature: -65C to +105C deg
- c. Interface: SMA per MIL-C-83517 & IEC169-15



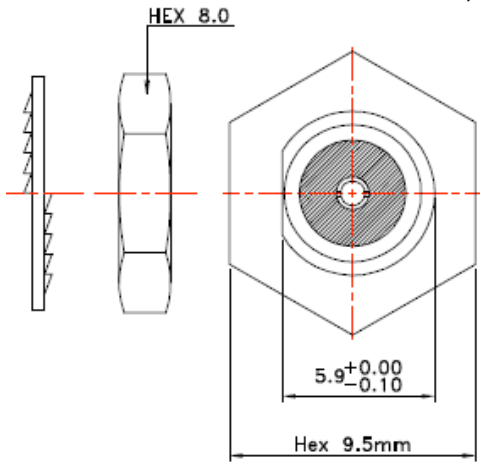
Telephone: 978-772-3767

Fax: 978-772-3768

www.responsemicrowave.com



94 JACKSON ROAD, SUITE 110, DEVENS, MA 01434



Telephone: 978-772-3767

Fax: 978-772-3768

www.responsemicrowave.com