



94 JACKSON ROAD, SUITE 110, DEVENS, MA 01434

ADAPTORS

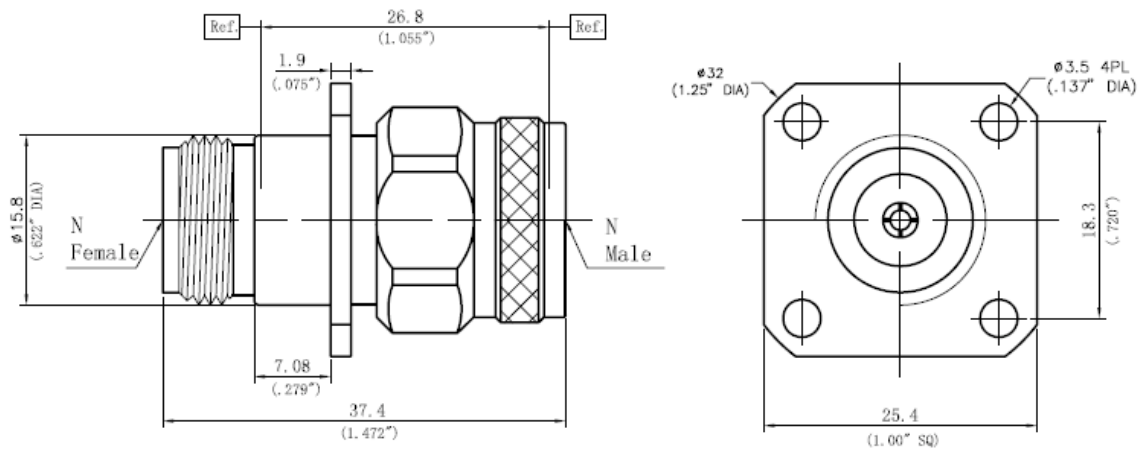
Model RMAD.IS.N18mf4HF
In Series – N male/female 4-hole flange

Frequency (GHz)	Impedance (Ω)	VSWR (max)	Insertion Loss (dB f=frequency GHz)
DC – 18	50	1.15:1	0.06 f $\frac{1}{2}$

Notes:

- Material:**
 Body: SUS303/passivated & polished
 Socket Contacts: BeCu/gold
 Dielectric: PTFE
- Operation temperature: -60C to +165C deg**
- Durability: 2000 mating cycles**

All specifications are subject to change.



Telephone: 978-772-3767

Fax: 978-772-3768

www.responsemicrowave.com