



94 JACKSON ROAD, SUITE 110, DEVENS, MA 01434

ADAPTORS

Model RMAD.IS.MCXff

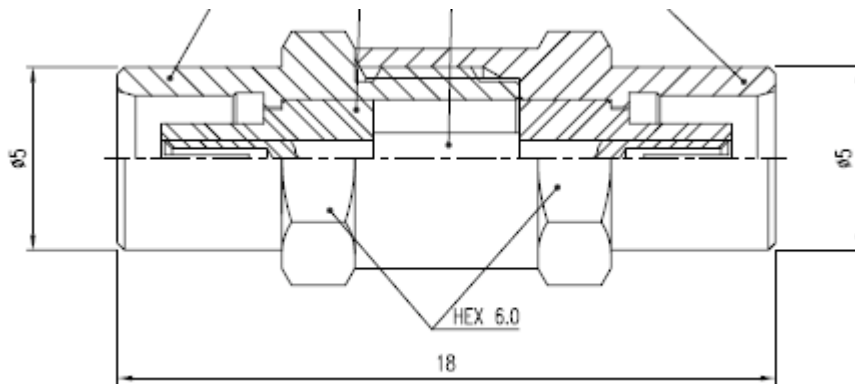
In Series – MCX female/female

Electrical Specifications:

Frequency (GHz)	Impedance (Ω)	VSWR (max)	Insertion Loss (dB f=frequency GHz)
DC – 6	50	1.20:1	0.07 f $\frac{1}{2}$

Notes:

- Material:
Body: brass/gold
Socket Contacts: BeCu/gold
Dielectric: PEI
- Operation temperature: -65C to +85C deg



Dimensions in mm. All specifications subject to change

Telephone: 978-772-3767

Fax: 978-772-3768

www.responsemicrowave.com