



94 JACKSON ROAD, SUITE 110, DEVENS, MA 01434

ADAPTORS

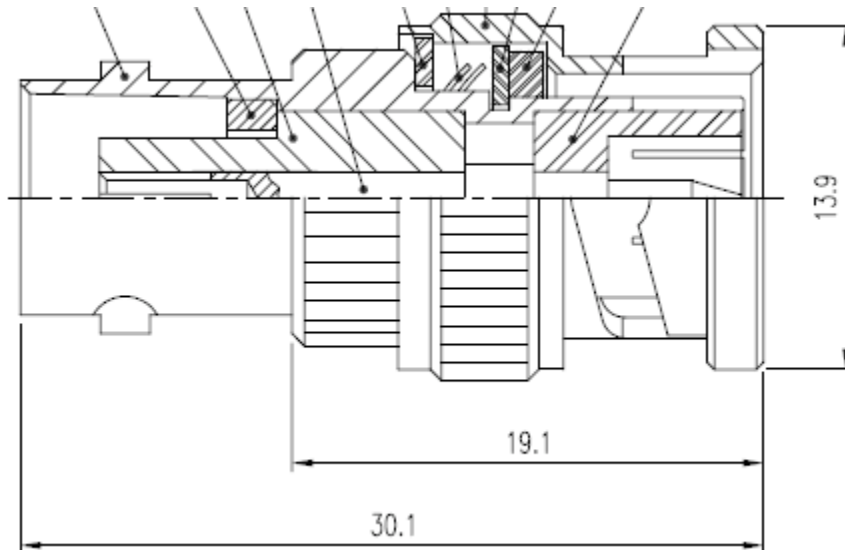
Model RMAD.IS.BNCmf

In Series – BNC male to BNC female

Frequency (GHz)	Impedance (Ω)	VSWR (max)	Insertion Loss (dB f=frequency GHz)
DC – 4	50	1.25:1	0.07 f $\frac{1}{2}$

Notes:

- Material:
 - Body: brass/nickel
 - Socket Contacts: BeCu/gold
 - Dielectric: teflon
- Operation temperature: -65C to +85C deg



Dimensions in mm. All specifications subject to change

Telephone: 978-772-3767

Fax: 978-772-3768

www.responsemicrowave.com