



9 4 J A C K S O N R O A D , S U I T E 1 1 0 , D E V E N S , M A 0 1 4 3 4

ADAPTORS

Model RMAD.IS.BNCffmT
In Series – BNC female/female/male T

Frequency (GHz)	Impedance (Ω)	VSWR (max)	Insertion Loss (dB f=frequency GHz)
DC – 4	50	$1.15 + 0.005 f$ (GHz)	$0.18 f^{1/2}$

Notes:

- a. **Material:**
Body: brass/nickel
Socket Contacts: BeCu/gold
Insulator: PTFE
- b. **Operation temperature:** -55C to +125C deg
- c. **Insulation Resistance:** 5000 Mohm
- d. **Contact Resistance:** Center; 2.0Mohm Outer; 1.0Mohm

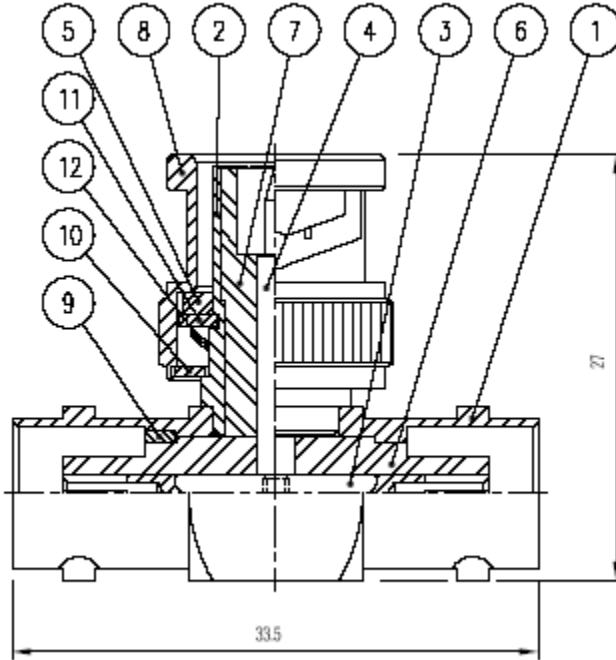
Telephone: 978-772-3767
772-3768

Fax: 978-

www.responsemicrowave.com



9 4 J A C K S O N R O A D , S U I T E 1 1 0 , D E V E N S , M A 0 1 4 3 4



Telephone: 978-772-3767
772-3768

Fax: 978-

www.responsemicrowave.com

Rev 7/25/05