



94 JACKSON ROAD, SUITE 110, DEVENS, MA 01434

ADAPTORS

Model RMAD.IS.24mm

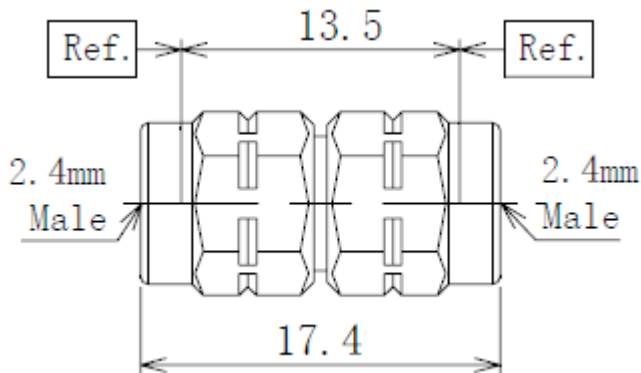
In Series – 2.4mm male/male

Electrical Specifications:

| Frequency (GHz) | Impedance (Ω) | VSWR (max) | Insertion Loss (dB f=frequency GHz) |
|-----------------|------------------------|------------|-------------------------------------|
| DC – 50 | 50 | 1.20:1 | 0.07 f ¹ / ₂ |

Notes:

- Material:
Body: SUS303 stainless steel/passivate
Socket Contacts: BeCu/gold
Dielectric: PEI
- Operation temperature: -65°C to +105°C



Dimensions in millimeters. All specifications subject to change

Telephone: 978-772-3767

Fax: 978-772-3768

www.responsemicrowave.com