



94 JACKSON ROAD, SUITE 110, DEVENS, MA 01434

## ADAPTORS

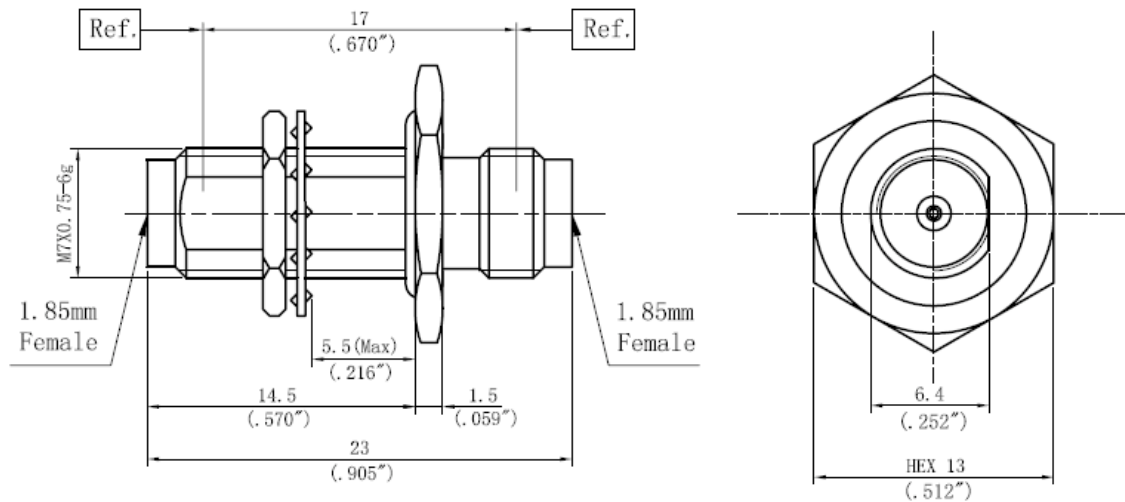
**Model RMAD.IS.185ffBH In Series –1.85mm female/female B/H**

### Electrical Specifications:

Frequency (GHz)	Impedance ( $\Omega$ )	VSWR (max)	Insertion Loss (dB f=frequency GHz)
DC – 65	50	1.30:1	$0.07 f^{1/2}$

### Notes:

- Material:**  
 Body: SU303F stainless steel/passivate  
 Socket Contacts: BeCu/gold  
 Dielectric: PEI
- Operation temperature:** -65C to +105C deg
- Insertion Loss =  $0.05\sqrt{f}$  dB**



*Dimensions in mm. All specifications subject to change*

Telephone: 978-772-3767

Fax: 978-772-3768

[www.responsemicrowave.com](http://www.responsemicrowave.com)