



94 Jackson Road, Devens, MA 01434-4012 USA

## ADAPTORS

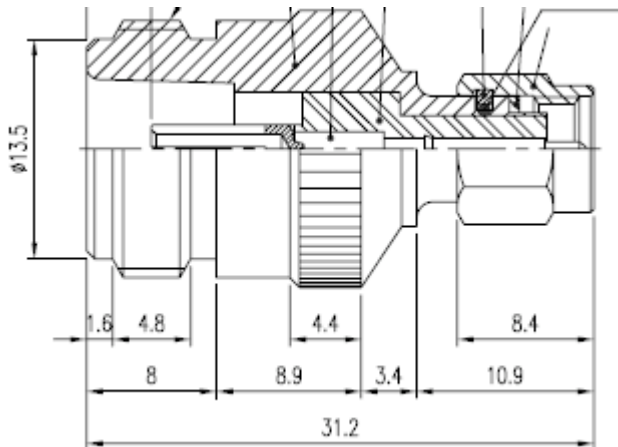
Model RMAD.BS.SMAnmf

Between Series – SMA male to N female

| Frequency (GHz) | Impedance ( $\Omega$ ) | VSWR (max) | Insertion Loss (dB min) |
|-----------------|------------------------|------------|-------------------------|
| DC – 10         | 50                     | 1.20:1     | 0.5                     |

### Notes:

- Material:
  - Body: brass/nickel
  - Contacts: BeCu/gold
  - Dielectric: PTFE
  - Gasket: silicon
- Operation temperature: -55C to +85C deg
- Interface: per MIL-C-83517



All specifications are subject to change without notice.

Telephone: 978-772-3767

Fax: 978-772-3768

[www.responsemicrowave.com](http://www.responsemicrowave.com)