



94 Jackson Road, Devens, MA 01434-4012 USA

## ADAPTORS

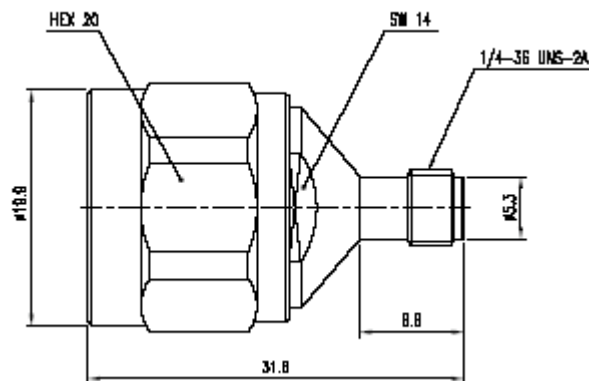
Model RMAD.BS.SMAnfm

Between Series -  
SMA female to N male

| Frequency (GHz) | Impedance ( $\Omega$ ) | VSWR (max) | Insertion Loss (dB min) |
|-----------------|------------------------|------------|-------------------------|
| DC – 10         | 50                     | 1.20:1     | 0.5                     |

**Notes:**

- a. Material:
  - Body: brass/nickel
  - Contacts: BeCu/gold
  - Dielectric: PTFE
  - Gasket: silicon
- b. Operation temperature: -55C to +85C deg
- c. Interface: per MIL-C-83517



*All specifications are subject to change without notice.*