



94 Jackson Road, Devens, MA 01434-4012 USA

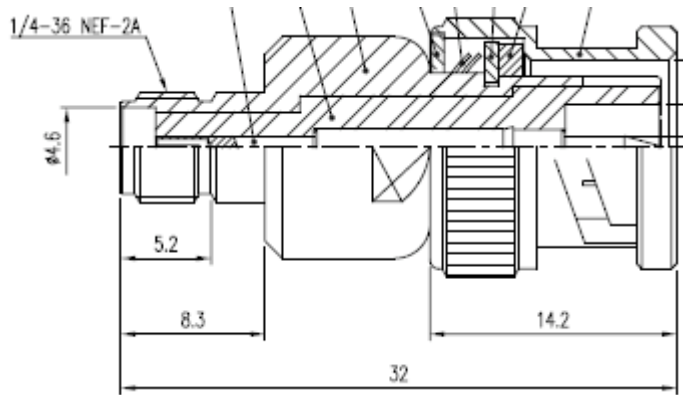
## ADAPTORS

Model RMAD.BS.SMABNCfm  
Between Series – SMA female to BNC male

Frequency (GHz)	Impedance ( $\Omega$ )	VSWR (max)	Insertion Loss (dB min)
DC – 3	50	1.20:1	0.5

**Notes:**

- a. **Material:**
  - Body: brass/nickel
  - Contacts: BeCu/gold
  - Dielectric: PTFE
  - Gasket: silicon
- b. **Operation temperature:** -55C to +85C deg
- c. **RoHS Complaint**



*All specifications are subject to change without notice.*