



94 Jackson Road, Devens, MA 01434-4012 USA

## ADAPTORS

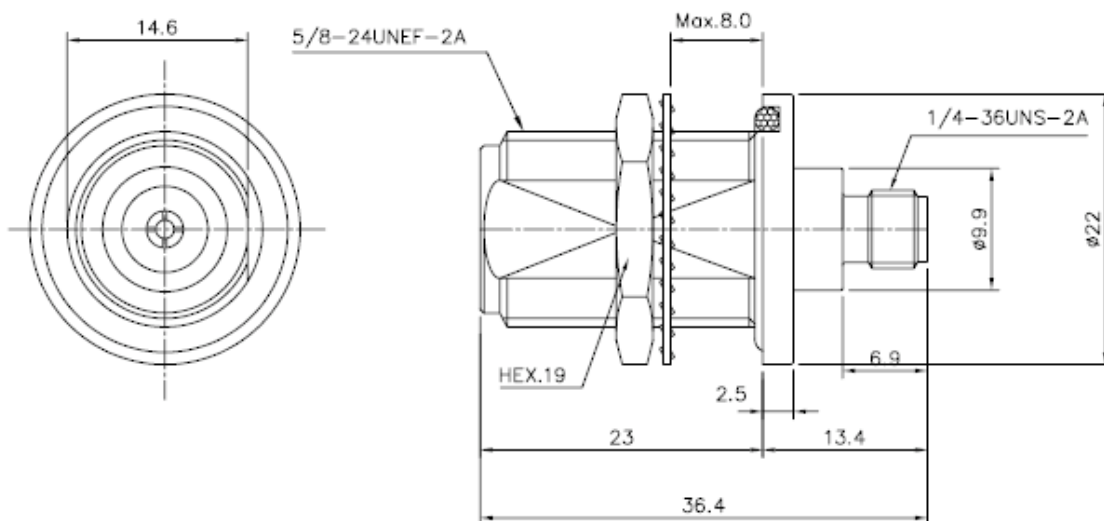
Model RMAD.BS.NSffBH

Between Series - N female to SMA female bulkhead

Frequency (GHz)	Impedance ( $\Omega$ )	VSWR (max)	Insertion Loss (dB min)
DC - 8	50	1.20:1	0.2

**Notes:**

- a. Material:
  - Body: brass/nickel
  - Contacts: BeCu/gold
  - Dielectric: PTFE
  - Gasket: silicon
- b. Operation temperature: -55C to +85C deg
- c. Interface: per MIL-C-83517



All specifications are subject to change without notice.

Telephone: 978-772-3767

Fax: 978-772-3768

[www.responsemicrowave.com](http://www.responsemicrowave.com)