



94 JACKSON ROAD, SUITE 110, DEVENS, MA 01434

ADAPTORS

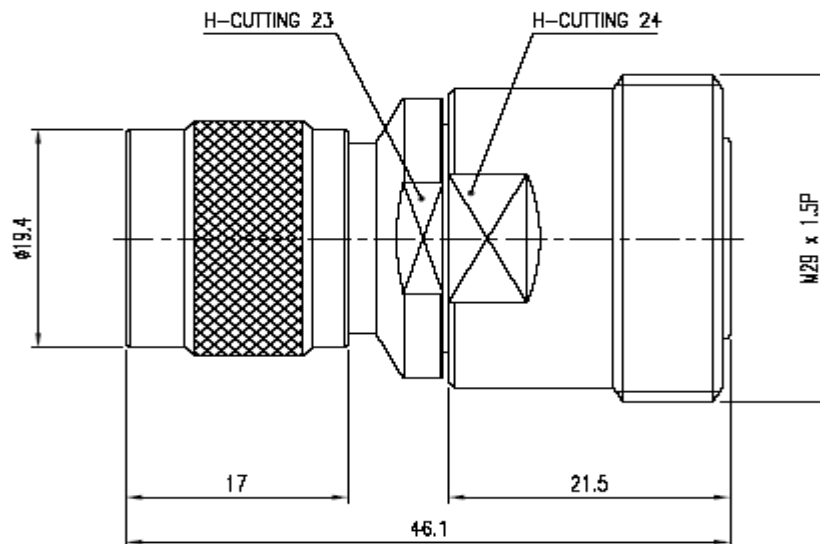
Model RMAD.BS.N716mf

Between Series – N male 7/16 female

Frequency (GHz)	Impedance (Ω)	VSWR (max)	Insertion Loss (dB min)
DC – 6	50	1.20:1	0.4

Notes:

- Material:
Body: brass/ternary alloy
Socket Contacts: Brass/gold & silver
- Operation temperature: -65C to +105C deg
- Interface: per MIL-C-39012 & IEC169-15
- N male coupling nut can also be hex



All specifications subject to change

Telephone: 978-772-3767

Fax: 978-772-3768

www.responsemicrowave.com