



94 JACKSON ROAD, SUITE 110, DEVENS, MA 01434

## ADAPTORS

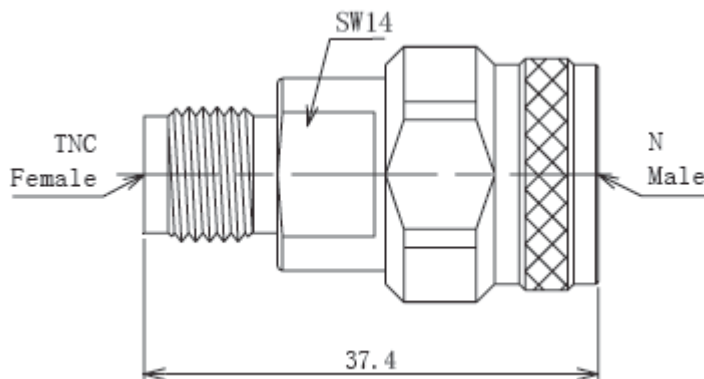
Model RMAD.BS.N18TNCmf Between Series – N male to TNC female

### Electrical Specifications:

Frequency (GHz)	Impedance ( $\Omega$ )	VSWR (max)	Insertion Loss (dB f=frequency GHz)
DC – 18	50	1.15:1	0.07 f <sup>1</sup> / <sub>2</sub>

### Notes:

- a. Material:
  - Body: SUS303 stainless steel/passivate
  - Socket Contacts: BeCu/gold
  - Dielectric: PEI
- b. Operation temperature: -65C to +105C deg



*Dimensions are in mm. All specifications subject to change*

Telephone: 978-772-3767

Fax: 978-772-3768

[www.responsemicrowave.com](http://www.responsemicrowave.com)