



94 JACKSON ROAD, SUITE 110, DEVENS, MA 01434

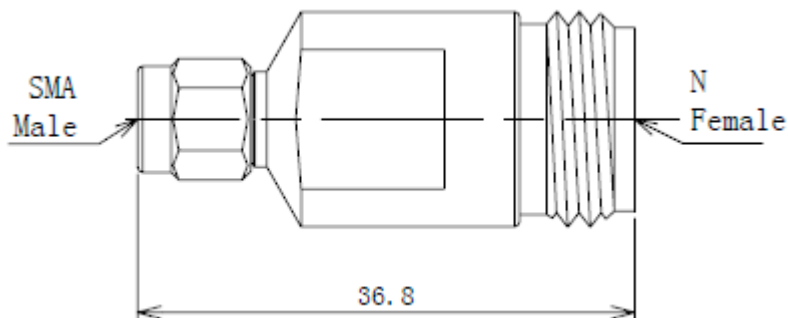
ADAPTORS

Model RMAD.BS.N18SMA27fm Between Series – N female to SMA male

Frequency (GHz)	Impedance (Ω)	VSWR (max)	Insertion Loss (dB f=frequency GHz)
DC – 18	50	1.15:1	$0.07 f^{1/2}$

Notes:

- Material:
Body: SUS303 stainless steel/passivate
Socket Contacts: BeCu/gold
Dielectric: PEI
- Operation temperature: -65C to +105C deg



Dimensions are in mm. All specifications subject to change

Telephone: 978-772-3767

Fax: 978-772-3768

www.responsemicrowave.com