



94 JACKSON ROAD, SUITE 110, DEVENS, MA 01434

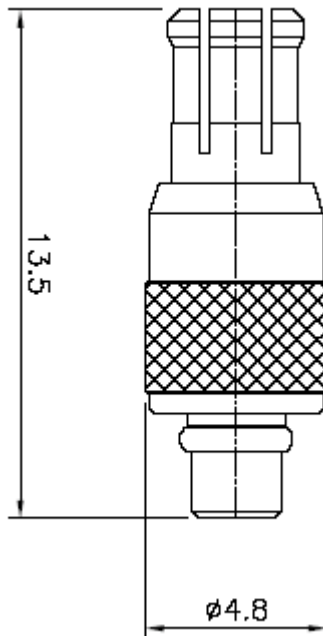
## ADAPTORS

**Model RMAD.BS.MCX.MMCXmm**  
**Between Series MCX male / MMCX male**

Frequency (GHz)	Impedance ( $\Omega$ )	VSWR (max)	Input Power
DC – 6	50	1.20:1	$\leq 1$ W

### Notes:

- Material:
  - Body: brass/nickel plated
  - Outer Contact: BeCu/nickel plated
  - Center Contact: brass/gold plated
  - Insulator: PTFE
- Operation temperature: -35C to +80C deg



Telephone: 978-772-3767

Fax: 978-772-3768

[www.responsemicrowave.com](http://www.responsemicrowave.com)