



94 JACKSON ROAD, SUITE 110, DEVENS, MA 01434

## ADAPTORS

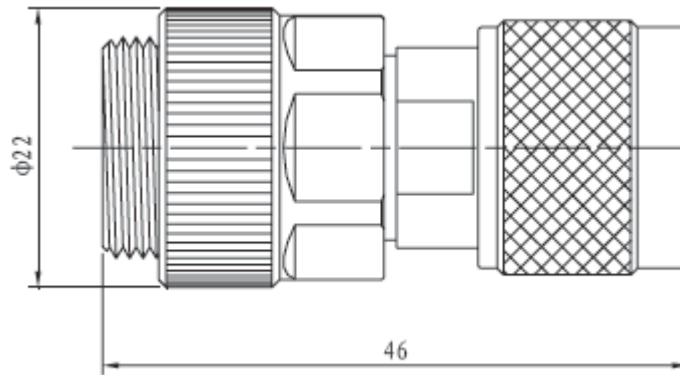
Model RMAD.BS.7N18fm    Between Series – 7mm to N female/male

### Electrical Specifications:

| Frequency (GHz) | Impedance ( $\Omega$ ) | VSWR (max) | Insertion Loss (dB f=frequency GHz) |
|-----------------|------------------------|------------|-------------------------------------|
| DC – 18         | 50                     | 1.10:1     | 0.07 f <sup>1</sup> / <sub>2</sub>  |

### Notes:

- a. Material:
  - Body: SUS303 stainless steel/passivate
  - Socket Contacts: BeCu/gold
  - Dielectric: PEI
- b. Operation temperature: -65C to +105C deg



*Dimensions are in mm. All specifications subject to change*

Telephone: 978-772-3767

Fax: 978-772-3768

[www.responsemicrowave.com](http://www.responsemicrowave.com)